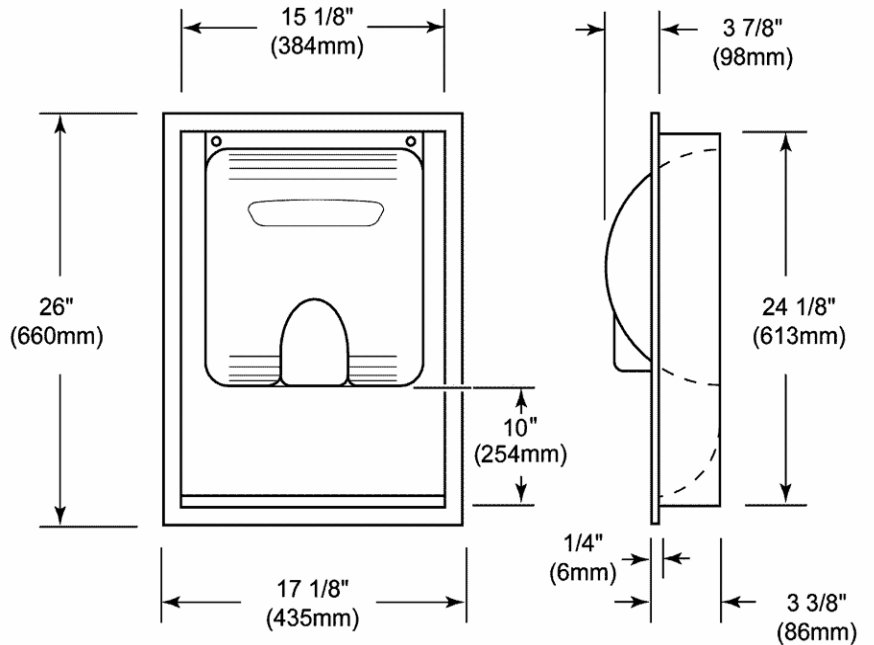


XLERATOR RECESS KIT

***** Meets ADA Protrusion Requirement of 4 inches (102 mm) *****



Specifications

<u>Weight</u>	16 lbs. (7.3 KG)
<u>Overall Dimensions</u>	17 1/8" wide x 26" high x 3 3/8" deep (435 mm wide x 660 mm high x 86 mm deep)
<u>Rough Wall Opening</u>	15 3/8" wide x 24 3/8" high x 4" deep (391 mm wide x 619 mm high x 102 mm deep)

Suggested Dryer Mounting Heights (From floor to bottom of dryer)

Men's	45" (114 cm)
Ladies	43" (109 cm)
Teenagers	41" (104 cm)
Children	35" (89 cm)
Handicapped	37" (94 cm)

Construction Wall box is fabricated of 22 GA 18-8 type 304 stainless steel with #4 satin finish with 16 GA 18-8 type 304 stainless steel dryer mounting plate. All welded construction.

Installation Guide
(Consult local ADA codes) When installed, bottom of hand dryer will be 10" (254 mm) above bottom of rough wall opening. Therefore, bottom of rough wall opening should be 10" (254 mm) below suggested mounting height for hand dryer. (See suggested mounting heights above).