

INSTALLATION INSTRUCTIONS FOR XLERATOR® HAND DRYER

FOR PROPER ELECTRICAL CONNECTIONS, CHECK YOUR LOCAL BUILDING CODES. YOUR UNIT MUST BE INSTALLED BY A QUALIFIED, LICENSED ELECTRICIAN.

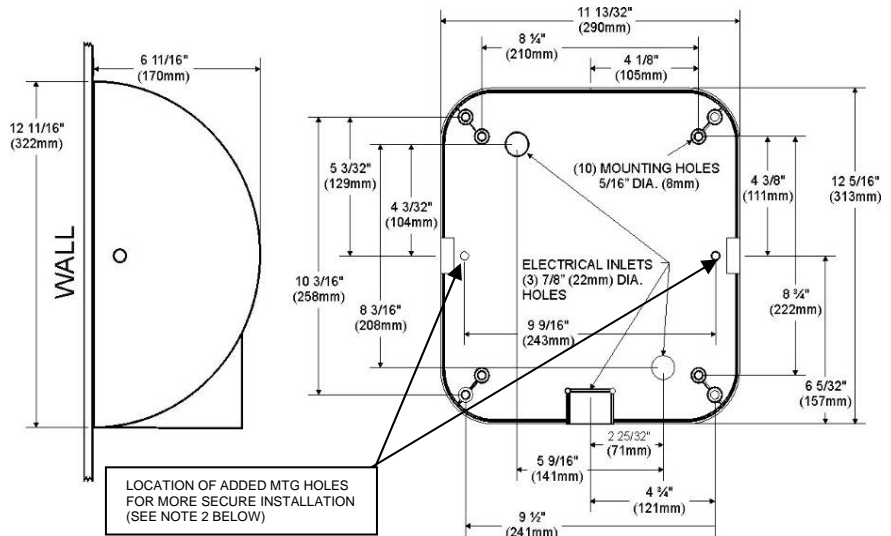
Suggested Mtg. Heights from floor to bottom of dryer

Men's	45" (114 cm)
Ladies'	43" (109 cm)
Teenagers'	41" (104 cm)
Sm. Children	35" (89 cm)
Handicapped	37" (94 cm)

IF MOUNTING OVER COUNTERTOP, DISTANCE FROM COUNTER TO DRYER **MUST BE 15" (381mm) MINIMUM**

Recommended Fastener

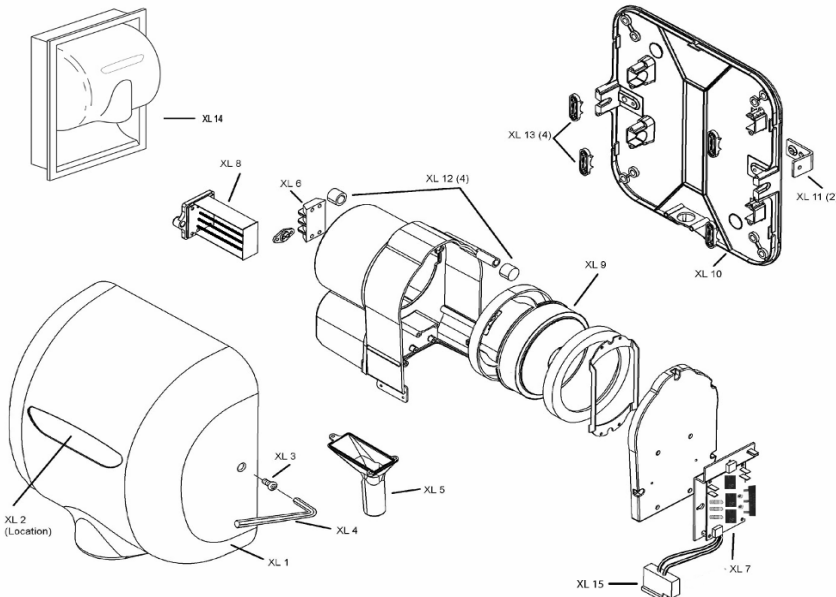
Masonry Wall	½" expansion sleeve with ¼" lag bolt
Hollow Wall	¼" wing type through bolt
Wooden Wall	¼" lag screw with washer



1. Remove cover of dryer by unscrewing two tamper-proof bolts from the sides of the cover with the special wrench provided with each unit.
2. Attach wall plate at the four corners to smooth wall. In locations where vandalism is a concern, use the two additional mounting holes shown. Remove control assembly to access right side mounting hole. Attach with the recommended type of fastener (see above).
3. Connect a 110/120V dryer to a 15 Amp. branch circuit using at least #12 GA copper wire. (Do not exceed a 20 Amp. branch circuit) Connect a 208, 220/240V or 277V dryer to no more than a 15 Amp. branch circuit using at least a #14 GA copper wire. Attach lines to terminals as indicated by the schematic inside dryer cover. Be sure that an equipment ground wire is securely fastened to green ground screw on base plate. For runs over 50 feet or for multiple installations, increase the size of the wire used. Dryers located in shower rooms or other wet locations should be installed with circuits protected by ground fault interrupter(s) or as local codes require.
4. In multiple installations, before replacing cover, check the Serial Number marked inside the dryer to be sure it matches the Serial Number marked on the label at the bottom of cover. **PLEASE DO NOT SWITCH COVERS. Do not forget to leave the special TAMPER PROOF WRENCH with the owner.**

INSTALLATION NOTE: If the dryer will not turn on, stays on or stops working, it may be mounted too close to a counter or object. Turn off the power to dryer for 10 seconds and then reapply power. If dryer will start, then turn off again, relocate the object or remount dryer. If this is not possible, adjust the range of the sensor by turning the potentiometer on the control board, clockwise to decrease sensor range. Please call the factory at **1-800-255-9235** and one of our trained technicians will be happy to assist you.

NOTE: Upon completing installation and checking for proper operation, it is **highly** recommended that a bead of **silicone sealant** be placed around the outside of the cover at the wall to protect dryer from internal corrosion caused by wash water and cleaning solutions



PARTS LIST FOR XLERATOR DRYER

<u>REF NO.</u>	<u>DESCRIPTION</u>
XL 1	Cover (includes Nameplate)
XL 2	Nameplate
XL 3	Tamper-proof Bolt
XL 4	Tamper-proof Wrench
XL 5	Air Outlet (includes gasket & screws)
XL 6	Terminal Block (includes screws)
XL 7	Control Assembly & Sensor
XL 8	Heating Element Assembly
XL 9	Motor Assembly (includes gaskets & wire harness)
XL 10	Wall Plate Assembly (includes cover mtg. brackets)
XL 11	Cover Mounting Brackets
XL 12	Housing Grommet
XL 13	Housing Retainer
XL 14	Recess Kit (for ADA)
XL 15	Optics Assembly (Sensor)

NOTE: Model, Serial Number and Voltage of the dryer **MUST BE** included when ordering parts.

⚡ DISCONNECT ELECTRICAL SUPPLY TO DRYER PRIOR TO SERVICING ⚡

CLEANING INSTRUCTIONS

OUTSIDE

Gently wash cover (including air Inlet holes) using a soft cloth or sponge and a mild soap or detergent with lukewarm water to loosen dirt and grime.

INSIDE - CLEANING SHOULD BE PERFORMED BY QUALIFIED SERVICE PERSONNEL

With normal use, dryer will require cleaning once a year. **Heavier usage requires more frequent cleaning.** Lint on the air inlet or other internal parts of dryer will reduce efficiency and shorten the life of the working parts. To clean, remove cover by unscrewing the tamper-proof bolts from cover with the special wrench provided with each dryer. Use a small, soft brush to gently clean all parts.

TROUBLESHOOTING YOUR DRYER

As with any electrical appliance, repairs to be performed by qualified service personnel

If your dryer does not turn on

1. Verify that the dryer is receiving power by checking electrical service, circuit breaker or fuse to the dryer. If power is OK,
2. Check voltage to dryer terminal block. If OK,
3. May be mounted too close to a counter or object. (see installation note). If OK,
4. Check for loose wires on dryer control and for foreign material on dryer sensor next to air outlet. If OK,
5. Replace dryer control.

If your dryer does not shut off

1. May be mounted too close to a counter or object (see installation note). If OK,
2. Check for loose, disconnected or improper wiring at dryer control. If OK,
3. Replace dryer control.

If your dryer heats up but no air comes out

1. Check motor fuse if so equipped. If OK,
2. Replace motor.

If your dryer does not always turn on, or turns on by itself

1. May be mounted too close to a counter or object (see installation note). If OK,
2. Check for foreign material on optical sensor next to air outlet. If OK,
3. Check for loose wires on dryer control. If OK,
4. Replace dryer control.

If your dryer blows only cold air

1. Check for loose connections to heating element. If OK,
2. Replace heating element.

If your dryer has a loss of air volume

1. Check for air leaks at the heating element. If leaking, replace heating element. If OK,
2. Check for slow running motor or burning smell. If so, replace motor.

Note: If the problem cannot be resolved with the above, please call the factory at **1-800-255-9235** and one of our trained technicians will be happy to assist you.

5-YEAR LIMITED WARRANTY

1. This product is warranted to be free from defects for a period of five (5) years from the date of shipment from the Manufacturer's factory at 357 Chestnut St., East Longmeadow, Massachusetts 01028. In the event of a breach of the warranty described above, the Owner shall have either one of the following remedies:
 - a. The Owner shall return the defective product to the Manufacturer, postage prepaid, and the Manufacturer shall repair said product within a reasonable time and free of charge, provided that said product is returned within five (5) years from the date of original shipment from the Manufacturer's factory in East Longmeadow, Massachusetts; and, provided further that said defect is not due to faulty installation, accident, misuse, or vandalism; **or**
 - b. The Owner may notify the Manufacturer by telephone or in writing of the defect and, within a reasonable time, the Manufacturer shall send a suitable replacement part to remedy said defect, and Owner shall be charged for said part at the current price level. The Owner may return the defective part to the Manufacturer, postage prepaid, along with the serial number of the defective product and the Manufacturer will then issue to the Owner a full credit for the repair part, including outgoing postage. Said remedy is available only within five (5) years from the date of original shipment of the product from the Manufacturer's factory in East Longmeadow, Massachusetts, and provided further that said defect is not due to faulty installation, accident, misuse, or vandalism.
2. Any implied warranties of merchantability or fitness for a particular purpose are hereby limited to the duration of the express written warranty contained in paragraph one (1); namely, five (5) years from the date of shipment from the Manufacturer's factory in East Longmeadow, Massachusetts.
3. There are no other warranties and remedies except as contained herein. This warranty shall inure to the benefit of the Owners, Successors and Assigns.