

OPERATION AND INSTALLATION MANUAL GUÍA DE OPERACIÓN E INSTALACIÓN MODE D'EMPLOI ET MANUEL D'INSTALLATION

TOUCHLESS AUTOMATIC HIGH-SPEED HAND DRYERS
SECADORES DE MANO DE ALTA VELOCIDAD SIN CONTACTO
SÉCHOIRS DE MAIN SANS CONTACT AUTOMATIQUES ET ULTRA RAPIDES

- » ULTRONIC™ 1 S
- » ULTRONIC™ 1 W
- » ULTRONIC™ 2 S
- » ULTRONIC™ 2 W



STIEBEL ELTRON, Inc.

17 West Street | West Hatfield, MA 01088

Tel. 413-247-3380 | Fax 413-247-3369

Email info@stiebel-eltron-usa.com

www.stiebel-eltron-usa.com

STIEBEL ELTRON

Simply the Best

OPERATION

1.	Important instructions	3
1.1	Symbol key	3
1.2	Symbols in this document	3
2.	Safety precautions	4
3.	Register your product	5
4.	Instructions for the end user	5
4.1	General use information	5
4.2	User servicing instructions	5

INSTALLATION

5.	Installation instructions for the licensed installer	6
6.	Minimum clearances	6
7.	Mounting the unit	7
7.1	Recommended mounting heights	7
7.2	Wall mounting	7
8.	Electrical connections	8
9.	Dimensions	9
10.	Technical data	9
11.	Warranty	10
12.	Environment and recycling	10
13.	Wall-mounting template	29

GENERAL INFORMATION

IMPORTANT INSTRUCTIONS

1. Important Instructions

Read this entire manual. Failure to follow all the guides, instructions and rules could cause personal injury or property damage. Improper installation, adjustment, alteration, service and use of this unit can result in serious injury.

This unit must be installed by a licensed electrician and plumber. The installation must comply with all national, state and local electric codes. Proper installation is the responsibility of the installer. Failure to comply with the installation and operating instructions or improper use voids the warranty.

- ▶ Save these instructions for future reference. Installer should leave these instructions with the consumer.

If you have any questions regarding the installation, use or operation of this hand dryer, or if you need any additional installation manuals, please call our technical service line at 800-582-8423 (USA and Canada only). If you are calling from outside the USA or Canada, please call USA 413-247-3380 and we will refer you to a qualified Stiebel Eltron service representative in your area.



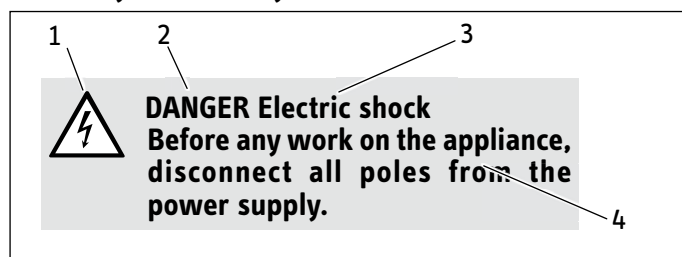
This is the safety alert symbol. It is used to alert you to potential personal injury hazard. Obey all safety messages that follow this symbol to avoid possible injury or death.

The chapter **Operation** is intended for homeowners, heating contractors, plumbers and electricians.

The chapter **Installation** is intended for heating contractors, plumbers and electricians only.

1.1 Symbol key

1.1.1 Layout of safety information



- 1 Symbol (see 1.1.2 "Symbols")
- 2 Keyword (see 1.1.3 "Keywords")
- 3 Designations (see 1.1.2 "Symbols")
- 4 Information text

1.1.2 Symbols

Symbol	Description
	Injury
	Electrocution
	Burns or scalding
	Other situations

1.1.3 Keywords

KEYWORD	Description
DANGER	The keyword DANGER indicates information that must be observed, otherwise serious injury or death will result.
WARNING	The keyword WARNING indicates information that must be observed, otherwise serious injury or death may result.
CAUTION	The keyword CAUTION indicates information that must be observed, otherwise relatively serious or light injuries may result.

1.2 Symbols in this document

- ▶ This symbol (▶) indicates that you must do something. The necessary actions are indicated in a step-by-step fashion.



General Information
This is the general information icon.

- ▶ Please read and pay careful attention to all general information notes.

2. Safety precautions



Please read and follow these instructions. Failure to follow these instructions could result in serious bodily injury or death.

There are no user-servicable parts. Service of the unit must be performed by qualified service technicians.

WARNING – TO REDUCE THE RISK OF FIRE, ELECTRIC SHOCK, OR INJURY TO PERSONS, OBSERVE THE FOLLOWING:

- a) Use the unit only in the manner intended by the manufacturer. If you have questions, contact the manufacturer.
- b) Before servicing or cleaning the unit, switch power off at service panel and lock the service disconnecting means to prevent power from being switched on accidentally. When the service disconnecting means cannot be locked, securely fasten a prominent warning device, such as a tag, to the service panel.



WARNING

To reduce the risk of fire, or electric shock, do not use this hand dryer with any solid state speed control device.



DANGER Electrocutation

Before proceeding with any installation, adjustment, alteration, or service of this unit all circuit breakers and disconnect switches servicing the unit must be turned off. Failure to do so could result in serious personal injury or death.



DANGER Electrocutation

Never remove the unit's cover unless the electricity servicing the unit is turned off. Failure to do so could result in serious personal injury or death.



DANGER Electrocutation: The unit must be properly grounded. Failure to electrically ground the product could result in serious personal injury or death.



WARNING Injury

Where children or persons with limited physical, sensory or mental capabilities are allowed to control this appliance, ensure that this will only happen under supervision or after appropriate instructions by a person responsible for their safety. Children must be supervised to ensure that they never play with the appliance.



WARNING Fire

Never operate this appliance ...

- if the minimum clearances to adjacent object surfaces are not maintained, for example to furniture, net curtains, curtains, textiles or other flammable materials (for minimum clearances, see specification/dimensions chapter).
- in rooms where the appliance is at risk from fire or explosion as a result of chemicals, dust, gases or vapors.
- in the direct proximity of pipes or containers that carry or contain flammable or explosive materials.
- if work such as laying cables, grinding or sealing is carried out in the installation room.
- if sprays, floor polish or similar products containing petroleum are used. Vent the room sufficiently before using unit.
- if an appliance component is damaged, the appliance has fallen over or already had a fault.

3. Register your product



You must register this product within 90 days of purchase on our website in order to activate the standard warranty or to be eligible for the extended warranty. Go to our web site at: www.stiebel-eltron-usa.com and click on register your product.

Before beginning the registration process, we suggest that you gather the necessary information which will be as follows:

Type, Example: Ultronic 1 S (from the black label that is on the bottom of the unit)

Number listed after "Nr.:"

Place of Purchase

Purchase Date

First & Last Name

Email address

Physical Address

Phone Number

IF YOU HAVE ANY QUESTIONS CONCERNING THE REGISTRATION PROCESS OR WARRANTY OPTIONS, PLEASE CONTACT STIEBEL ELTRON USA DIRECTLY AT (800)-582-8423.

Limited liability warranty:

Stiebel Eltron, Inc. is not liable for damages to the unit, damage to personal property, bodily injury, or loss of life due to the following conditions:

- Non-observance of these instructions
- Incorrect use
- Installation of the appliance by unqualified personnel
- Unauthorized modifications
- Technical modifications
- Use of unauthorized spare parts

4. Instructions for the end user

4.1 General use information

In order to dry your hands most efficiently, please use the following procedure:

- ▶ Shake off excess water over the wash basin
- ▶ Place hands underneath the unit at a distance of 4" - 7"
- ▶ Rub your hands together as if you were washing them

Your hands will be dry in approximately 15 seconds.

The Stiebel Eltron Ultronic series hand dryers are equipped with an infrared sensor switch. This sensor will activate the unit when hands are placed underneath it. Approximately 7 seconds after the hands have been removed, the unit will automatically shut off.

The sensor is the black rectangle located underneath the unit between the air exit and air inlet grills. The sensor switch will not work properly if it has been covered by gum or dirt. If the sensor is obstructed, the hand dryer will switch off automatically to prevent it from running continuously.

4.2 User servicing instructions




The Ultronic hand dryer does not contain any parts serviceable by the lay person. In case of malfunction please contact a licensed electrician.



CAUTION Fire
Never spray cleaning spray into the air slot.
Ensure that no moisture can enter the appliance.


To clean the housing use a soft cloth with a mild detergent if necessary. Never use any abrasive cleaners since they will scratch the finish of the unit. Never spray water or cleaning fluids directly on hand dryer. While cleaning the unit, make sure the electric eye switch is not covered.


5. Installation instructions for the licensed installer


 **WARNING: TO REDUCE THE RISK OF FIRE, ELECTRIC SHOCK OR INJURY TO PERSONS, OBSERVE THE FOLLOWING:**

a) Installation work and electrical wiring must be done by qualified person(s) in accordance with all applicable codes and standards, including fire-rated construction.

b) When cutting or drilling into wall or ceiling, do not damage electrical wiring and other hidden utilities.

 **DANGER Electrocutation**
Before proceeding with any installation, adjustment, alteration, or service of this unit all circuit breakers and disconnect switches servicing the unit must be turned off. Failure to do so could result in serious personal injury or death.


 **WARNING Electrocutation**
Do not install unit where it can accidentally be splashed with water, failure to do so could result in serious personal injury or death.

 All electrical work must comply with national and applicable state and local electrical codes.

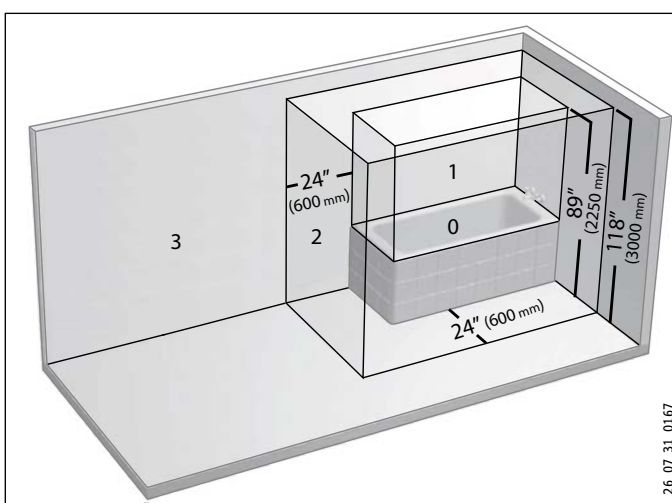
The circuit should be equipped with a “ground fault interrupter” where required by local, state or national electrical codes.

The Ultronic hand dryer must have its own independent circuit using cable of the appropriate size protected by a correctly rated circuit breaker. The Ultronic 1 S/W units are designed for 110-120 Volt electrical service and require a 15 amp circuit breaker and a #14 gauge copper wire. The Ultronic 2 S/W units are designed for 220-240 V or 208 V electrical service and require a 15 amp circuit breaker and a #14 gauge copper wire.

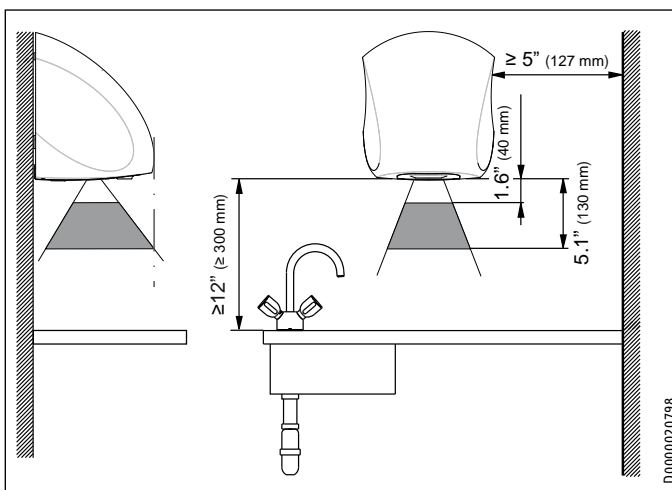
6. Minimum clearances

 **WARNING Electrocutation**
Do not install unit where it can accidentally be splashed with water. Observe all minimum clearance requirements. Failure to do so could result in serious personal injury or death.

Do not install the hand dryer in DANGER ZONES 0, 1, or 2 (see upper right diagram). Doing so may allow the unit to be splashed with water which could result in serious personal injury or death.



- 0 DANGER ZONE: do not install unit in bathtubs showers, or wash basins.
- 1 DANGER ZONE: do not install directly above bathtubs or showers.
- 2 DANGER ZONE: do not install within 24" of bathtubs or showers
- 3 SAFE AREA: unit must be installed in this area, outside of DANGER ZONES 2, 1 and 0.



► Before mounting the unit to the wall, ensure all minimum distances are met for safety and performance considerations.







INSTALLATION

MOUNTING THE UNIT

- ▶ The unit must be installed at least 5" from perpendicular walls.
- ▶ The unit must be installed at least 12" above countertops to avoid splashing the unit.
- ▶ Ensure the air outlet is not obstructed

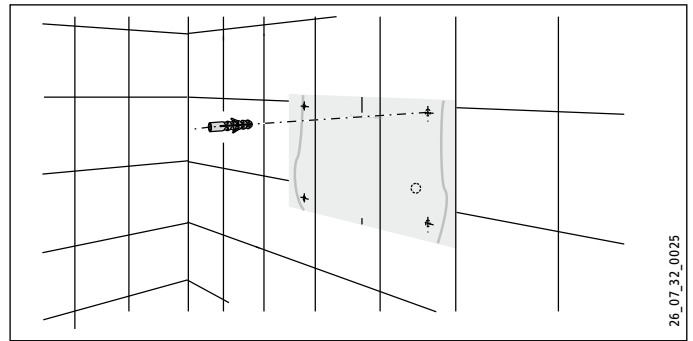
7. Mounting the unit

7.1 Recommended mounting heights

Age	Age	Height
		
Adult man		54" (1350 mm)
		
Adult woman		48" (1250 mm)
		
Preschool / kindergarten	3 - 5	32" (810 mm)
		
Elementary school	6 - 10	36" (910 mm)
		
Middle school	10 - 13	44" (1120 mm)
		
High school	13 - 18	48" (1250 mm)

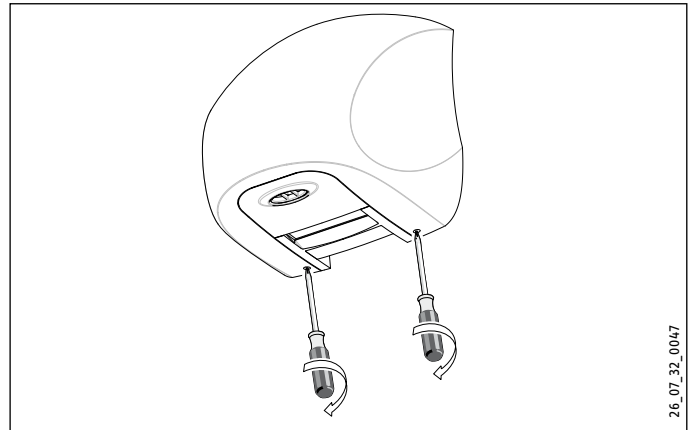
7.2 Wall mounting

- ▶ Transfer the four mounting points to the wall by using the enclosed drilling template and drill mounting holes (see drawing, upper right).



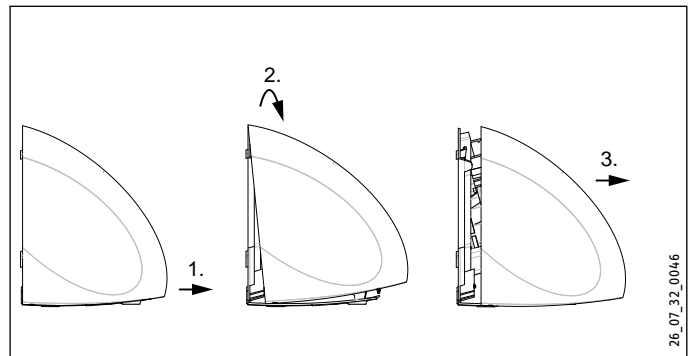
26_07_32_0025

- ▶ Rotate the 2 lock screws one turn clockwise until they come to a full stop.

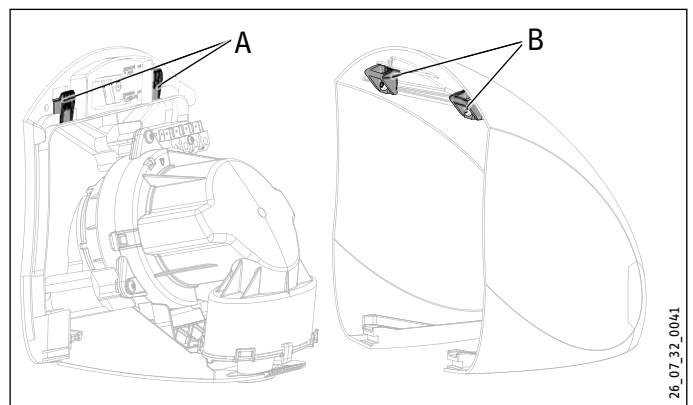


26_07_32_0047

- ▶ Remove the housing by gently lifting upward from the bottom. This will allow the hooks to disengage from the attachment eyelets (see A, B, below). Once the hooks have detached, pull the cover gently forward to remove it.



26_07_32_0046



26_07_32_0041

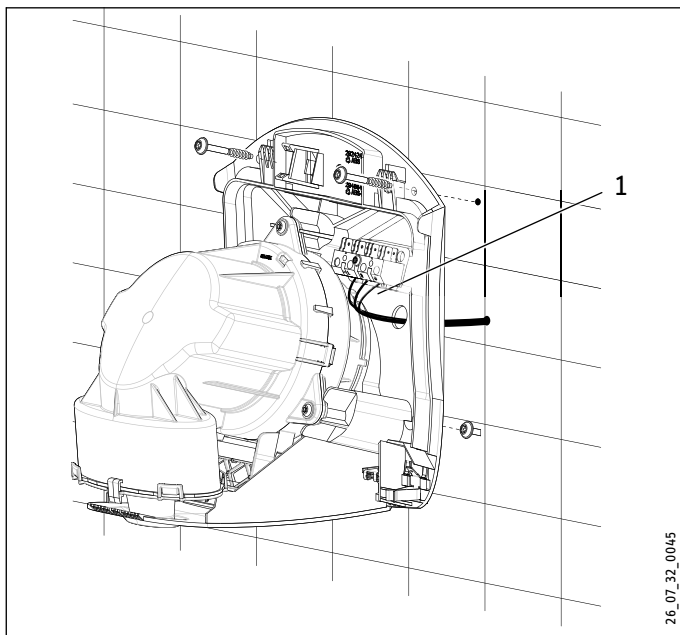
A) Hooks

B) Attachment eyelets

INSTALLATION

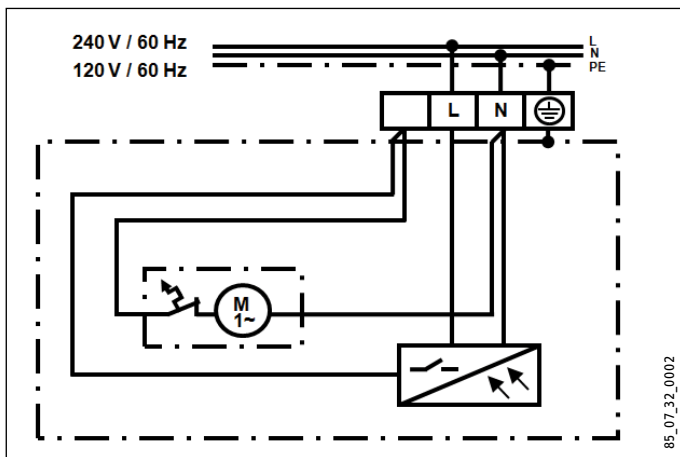
ELECTRICAL CONNECTIONS

8. Electrical connections

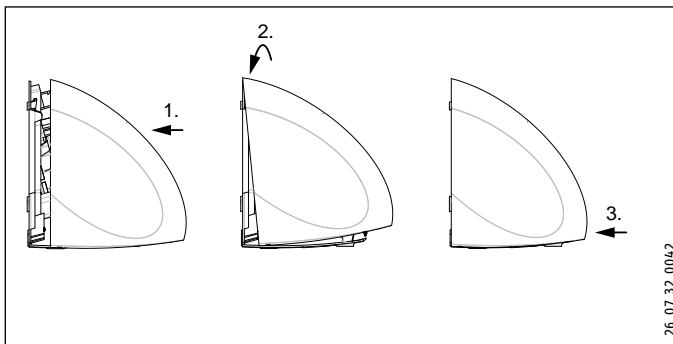


1 Wiring block

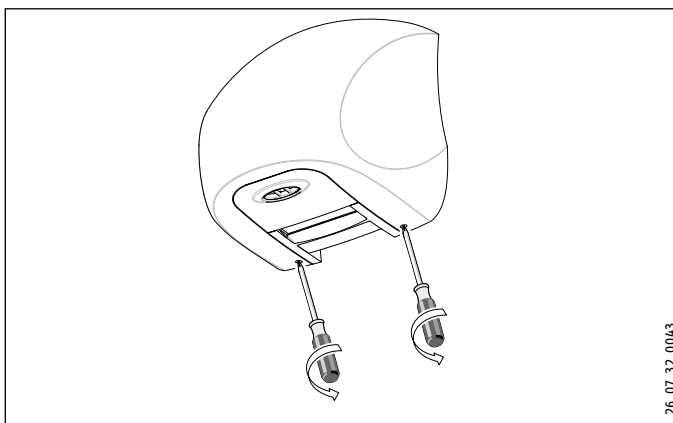
- ▶ Install a 1/2" electrical connector in the back part of housing in the hole located below the wiring block (1, above).
- ▶ Feed wires through connector; tighten clamp down on wire.
- ▶ The "live" wires must be connected to the slots on the terminal marked N/L and L. The ground wire must be connected to the slot on the terminal marked with the ground symbol.



- ▶ Put the housing back onto the front of the unit.
- ▶ Lift upward to reengage the hooks into the attachment eyelets.
- ▶ Press the housing down gently so it locks in place.

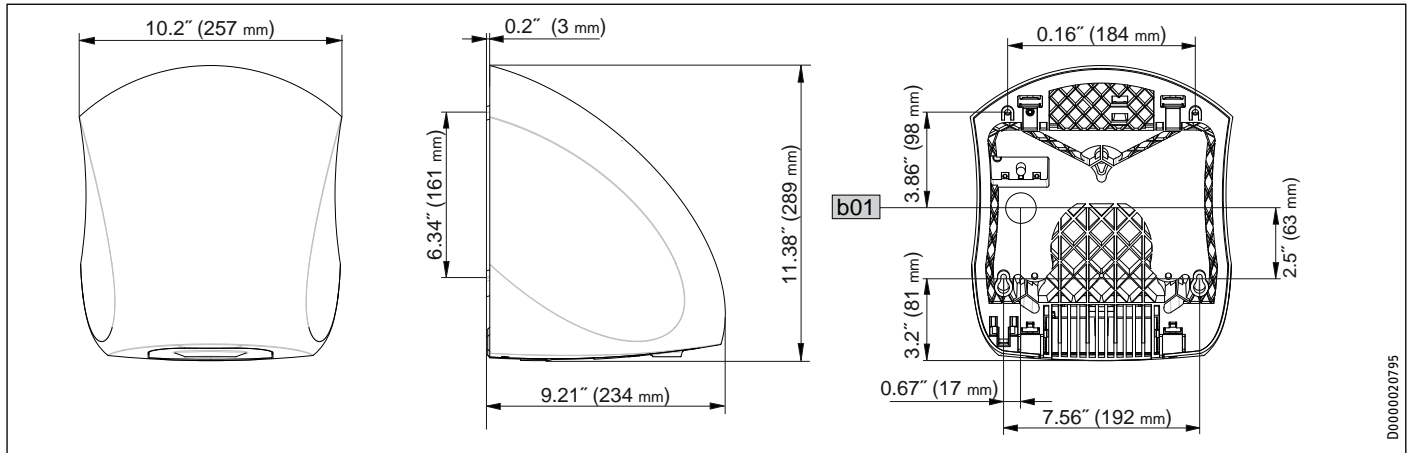


- ▶ Turn the two screws a full turn counterclockwise to stop.



INSTALLATION DIMENSIONS

9. Dimensions



10. Technical data

Model No.	Ultronic™ 1 S	Ultronic™ 1 W	Ultronic™ 2 S	Ultronic™ 2 W
Item no.	231584	231585	231586	231587
Electrical Data				
Phase	single	single	single	single
Voltage	120 v	120 v	208 v	240 v
Wattage	985 w	985 w	775 w	1000 w
Amperage	8.5 A	8.5 A	3.85 A	4.3 A
Minimum required circuit breaker size	15 A			
Min. required wire size	#14 AWG copper			
Dimensions				
Height	11.4" / 289 mm			
Width	10.1" / 257 mm			
Depth	9.2" / 234 mm			
Weight				
Weight	9.7 lb. / 4.4 kg			
Construction				
Color	Stainless steel	Alpine white	Stainless steel	Alpine white
Housing	aluminum			
Degree of protection (IP)	IP 23			
Safety class system	I			
Other				
Sound level	82 dB(A)			
Air speed	210 mph / 94 m/s			
Air volume	170.7 CFM / 190 m³/h			
Drying time	15 seconds			

ENGLISH

D0000020795

11. Warranty

RESIDENTIAL & COMMERCIAL WARRANTY: STIEBEL ELTRON WARRANTS TO THE ORIGINAL OWNER THAT THE ULTRONIC SERIES TOUCHLESS AUTOMATIC HAND DRYER WILL BE FREE FROM DEFECTS IN WORKMANSHIP AND MATERIALS FOR A PERIOD OF THREE (3) YEARS FROM THE DATE OF PURCHASE. SHOULD THE PART(S) PROVE TO BE DEFECTIVE UNDER NORMAL USE DURING THIS PERIOD, STIEBEL ELTRON, INC. WILL BE RESPONSIBLE FOR REPLACEMENT OF THE DEFECTIVE PART(S) ONLY. STIEBEL ELTRON, INC. IS NOT RESPONSIBLE FOR LABOR CHARGES TO REMOVE AND/OR REPLACE THE DEFECTIVE PART(S), OR ANY INCIDENTAL OR CONSEQUENTIAL EXPENSES.

SHOULD THE OWNER WISH TO RETURN THE HAND DRYER FOR REPAIR, THE OWNER MUST FIRST SECURE WRITTEN AUTHORIZATION FROM STIEBEL ELTRON, INC. THE OWNER SHALL BE REQUIRED TO SHOW PROOF OF PURCHASE DATE, AND TO PAY ALL TRANSPORTATION COSTS TO RETURN THE DEFECTIVE PART(S) OR HAND DRYER FOR REPAIR OR REPLACEMENT. WARRANTY IS VOID IF HAND DRYER HAS BEEN INSTALLED OR USED IMPROPERLY OR IF DESIGN HAS BEEN ALTERED IN ANY WAY.

STIEBEL ELTRON, INC.
17 West Street
West Hatfield, MA 01088, USA
PHONE: 800-582-8423 or 413-247-3380
FAX: 413-247-3369
E-Mail info@stiebel-eltron-usa.com
www.stiebel-eltron-usa.com

12. Environment and recycling

Please help us protect the environment. Dispose of the appliance and its packaging in accordance with national regulations.

STIEBEL ELTRON, INC.
17 West Street
West Hatfield, MA 01088, USA
PHONE: 800-582-8423 or 413-247-3380
FAX: 413-247-3369
E-Mail info@stiebel-eltron-usa.com
www.stiebel-eltron-usa.com

Deutschland

STIEBEL ELTRON GmbH & Co. KG
Dr.-Stiebel-Straße | 37603 Holzminden
Tel. 05531 702-0 | Fax 05531 702-480
info@stiebel-eltron.de
www.stiebel-eltron.de

Verkauf

Tel. 0180 3 700705* | Fax 0180 3 702015* | info-center@stiebel-eltron.de

Kundendienst

Tel. 0180 3 702020* | Fax 0180 3 702025* | kundendienst@stiebel-eltron.de
Tel. 05531 702-90015

Ersatzteilverkauf

Tel. 0180 3 702030* | Fax 0180 3 702035* | ersatzteile@stiebel-eltron.de
Tel. 05531 702-90050

Vertriebszentren

Tel. 0180 3 702010* | Fax 0180 3 702004*

* 0,09 €/min bei Anrufen aus dem deutschen Festnetz. Maximal 0,42 €/min bei Anrufen aus Mobilfunknetzen.

Austria

STIEBEL ELTRON Ges.m.b.H.
Eferdinger Str. 73 | 4600 Wels
Tel. 07242 47367-0 | Fax 07242 47367-42
info@stiebel-eltron.at
www.stiebel-eltron.at

Belgium

STIEBEL ELTRON bvba/sprl
't Hofveld 6 - D1 | 1702 Groot-Bijgaarden
Tel. 02 42322-22 | Fax 02 42322-12
info@stiebel-eltron.be
www.stiebel-eltron.be

Czech Republic

STIEBEL ELTRON spol. s r.o.
K Hájem 946 | 155 00 Praha 5 - Stodůlky
Tel. 251116-111 | Fax 235512-122
info@stiebel-eltron.cz
www.stiebel-eltron.cz

Denmark

Pettinaroli A/S
Mandal Allé 21 | 5500 Middelfart
Tel. 06341 666-6 | Fax 06341 666-0
info@pettinaroli.dk
www.stiebel-eltron.dk

Finland

Insinööritoimisto Olli Andersson Oy
Kapinakuja 1 | 04600 Mäntsälä
Tel. 020 720-9988 | Fax 020 720-9989
info@stiebel-eltron.fi
www.stiebel-eltron.fi

France

STIEBEL ELTRON SAS
7-9, rue des Selliers
B.P 85107 | 57073 Metz-Cédex 3
Tel. 0387 7438-88 | Fax 0387 7468-26
info@stiebel-eltron.fr
www.stiebel-eltron.fr

Hungary

STIEBEL ELTRON Kft.
Pacsirtamező u. 41 | 1036 Budapest
Tel. 01 250-6055 | Fax 01 368-8097
info@stiebel-eltron.hu
www.stiebel-eltron.hu

Japan

NIHON STIEBEL Co. Ltd.
Kowa Kawasaki Nishiguchi Building 8F
66-2 Horikawa-Cho
Saiwai-Ku | 212-0013 Kawasaki
Tel. 044 540-3200 | Fax 044 540-3210
info@nihonstiebel.co.jp
www.nihonstiebel.co.jp

Netherlands

STIEBEL ELTRON Nederland B.V.
Daviottenweg 36
5222 BH 's-Hertogenbosch
Tel. 073 623-0000 | Fax 073 623-1141
stiebel@stiebel-eltron.nl
www.stiebel-eltron.nl

Poland

STIEBEL ELTRON Polska Sp. z o.o.
ul. Działkowa 2 | 02-234 Warszawa
Tel. 022 60920-30 | Fax 022 60920-29
stiebel@stiebel-eltron.pl
www.stiebel-eltron.pl

Russia

STIEBEL ELTRON LLC RUSSIA
Urzhumskaya street 4,
building 2 | 129343 Moscow
Tel. 0495 7753889 | Fax 0495 7753887
info@stiebel-eltron.ru
www.stiebel-eltron.ru

Slovakia

TATRAMAT - ohrievače vody, s.r.o.
Hlavná 1 | 058 01 Poprad
Tel. 052 7127-125 | Fax 052 7127-148
info@stiebel-eltron.sk
www.stiebel-eltron.sk

Switzerland

STIEBEL ELTRON AG
Netzbodenstr. 23 c | 4133 Pratteln
Tel. 061 81693-33 | Fax 061 81693-44
info@stiebel-eltron.ch
www.stiebel-eltron.ch

Thailand

STIEBEL ELTRON Asia Ltd.
469 Moo 2 Tambol Klong-Jik
Amphur Bangpa-In | 13160 Ayutthaya
Tel. 035 220088 | Fax 035 221188
info@stiebeltronasia.com
www.stiebeltronasia.com

United Kingdom and Ireland

STIEBEL ELTRON UK Ltd.
Unit 12 Stadium Court
Stadium Road | CH62 3RP Bromborough
Tel. 0151 346-2300 | Fax 0151 334-2913
info@stiebel-eltron.co.uk
www.stiebel-eltron.co.uk

United States of America

STIEBEL ELTRON, Inc.
17 West Street | 01088 West Hatfield MA
Tel. 0413 247-3380 | Fax 0413 247-3369
info@stiebel-eltron-usa.com
www.stiebel-eltron-usa.com



Irrtum und technische Änderungen vorbehalten! | Subject to errors and technical changes! | Sous réserve d'erreurs et de modifications techniques! | Onder voorbehoud van vergissingen en technische wijzigingen! | Salvo error o modificación técnica! | Excepto erro ou alteração técnica | Zastrzeżone zmiany techniczne i ewentualne błędy! | Omyly a technické změny jsou vyhrazeny! | A muszaki változtatások és tévedések jogát fenntartjuk! | Отсутствие ошибок не гарантируется. Возможны технические изменения. | Chyby a technické zmeny sú vyhradené!

Stand 8729

STIEBEL ELTRON