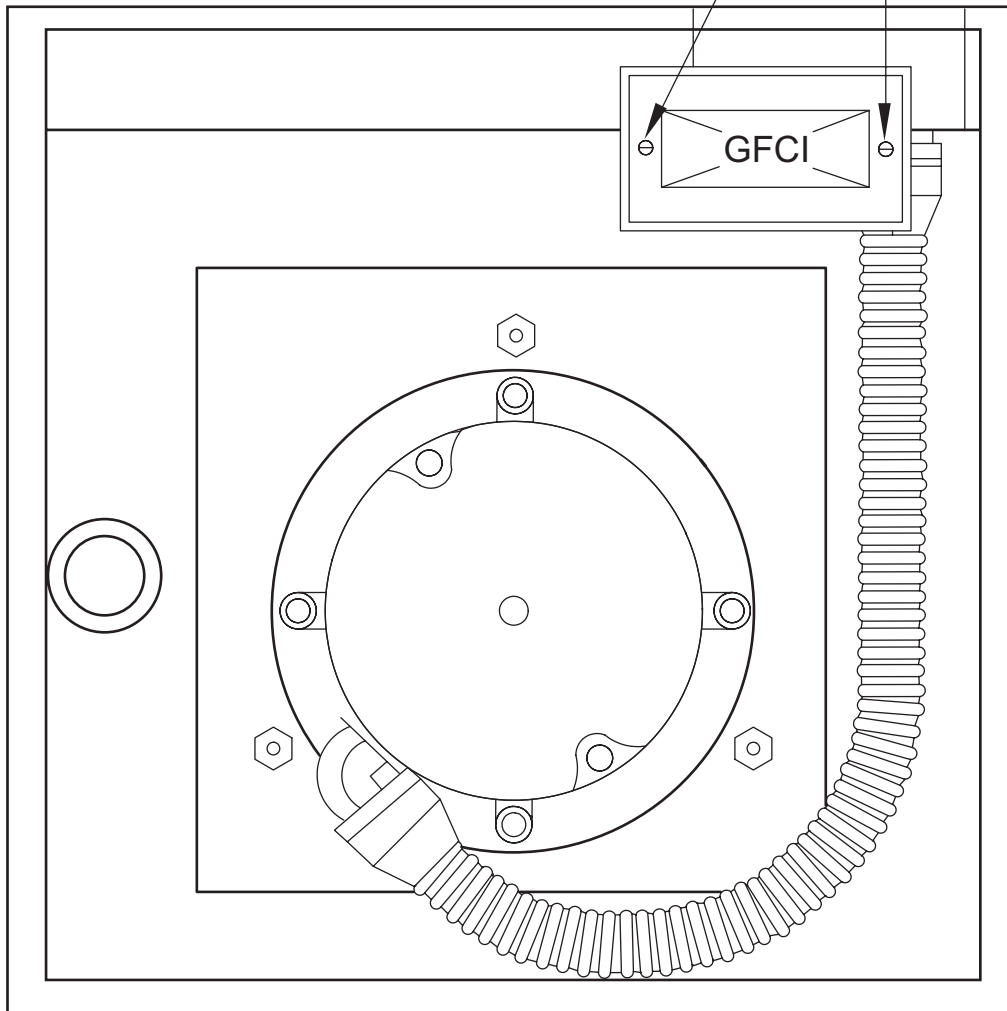


GFCI MOUNTING SCREWS
(2) AEC1820

BACK OF UNIT



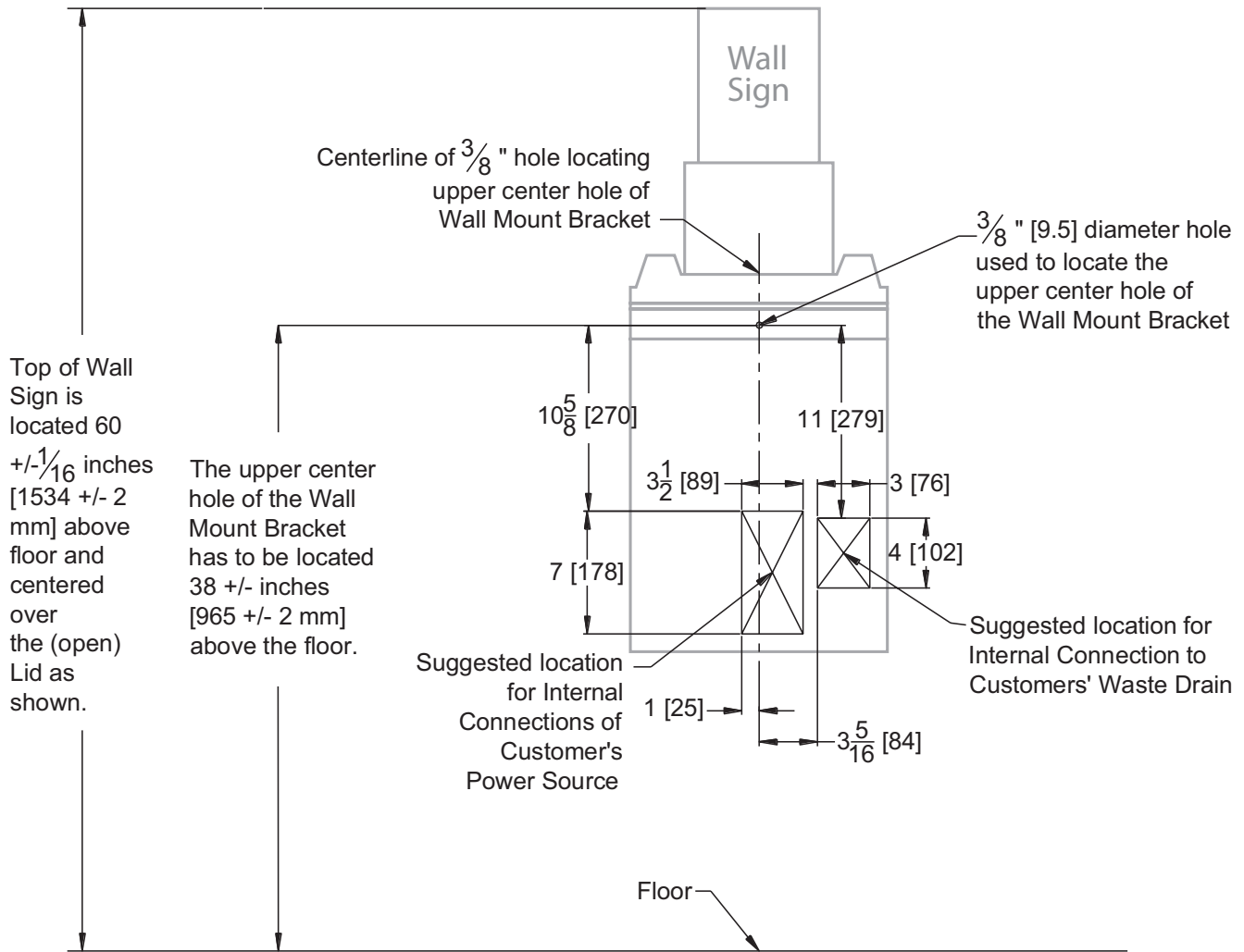
BOTTOM VIEW OF SUITMATE® UNIT

UTILITIES LOCATION DIAGRAM

115-V 20-Amp 60-Hz Self-Timed Unit

WARNING!

This diagram is for reference only! It is not to be used as the sole reference for installation of the SUITMATE® unit. The installation instructions beginning on page 3 must be followed explicitly!



- 1) On wall locate center of 3/8" (9.5mm) hole for the upper center hole of the Wall Mount Bracket.
- 2) Draw a vertical line (down) from this mark to indicate the center of the lower mounting channel of the SUITMATE® unit.
- 3) Use given measurements to locate either or both locations for placement of internal utilities.
- 4) After the SUITMATE® unit is hooked over the upper bracket, move it side to side so the center hole in the bottom channel is over the vertical line drawn in Step 2.