

SMARTdri™ Series

Intelligent High-Speed Energy Efficient Hand Dryers



WORLD DRYER

SMARTdri™ Series high-speed hand dryers are the most energy efficient, durable, hygienic hand dryers on the market today. SMARTdri's proprietary motor technology offers the longest service life of any high-speed hand dryer. The intelligent, flexible controls allow customizing of air flow, sound quality and heating options to fit any application.

Product Feature and Benefits

- Intelligent on/off heating and 3-speed motor controls optimize energy efficiency and user comfort
- 10 second drying time, 3X speed of traditional hand dryers
- Uses 40% less energy than competitive high speed hand dryers and only 12% energy of traditional dryers
- 2X-3X longer service life than other competitive high-speed dryers
- Two Nozzle options:
SMARTdri Plus - high intensity single-port nozzle
SMARTdri - multi-port nozzle for user comfort
- Most powerful combination of air velocity and air flow of any high-speed hand dryer
- Durable and vandal resistant
- Antimicrobial technology
- Automatic operation



Architecture & Engineering Specifications

SMARTdri™ Series hand dryers shall be manufactured by World Dryer Corporation to include a cover constructed of either die-cast aluminum finished with epoxy paint or chrome plating; cold rolled steel finished with epoxy paint; stainless steel with a polished (bright) or brushed satin finish. The wall mounting plate shall be constructed of die-cast aluminum and the nozzle shall be constructed of die-cast zinc alloy finished in either bright chrome or nickel plating. Epoxy painted covers and internal air flow path shall incorporate SteriTouch® antimicrobial technology. The cover shall be attached to the wall mounting plate with tamper-proof screws. Motor shall be a thermally-protected universal brush type motor operating at 23,400 RPM and delivering 78 – 100 CFM air at a velocity of 250 – 265 MPH (22,000 – 23,320 LFM). Dryer shall incorporate a 400 watt heating element constructed of nichrome wire and protected by an automatic resetting thermal cutoff. Dryer shall be activated by an automatic infrared sensor with a 3 second run-on time and 30 second vandal shut-off. Control board shall contain a motor control switch which can be controlled in either HI, MED or LOW speed settings, and a heater control switch that can be controlled in either ON or OFF position. Dryer shall provide exit air temperature 110 - 140 °F at an ambient temperature of 70 °F. Dryer shall have an ingress protection rating of IP24. Hand dryer shall be certified to Underwriters Laboratories, Inc. standards for safety.

* Patented SteriTouch® Antimicrobial material reduces the spread of harmful bacteria.

** Recess kit is available for ADA compliance.

SMARTdri™ Series Product Specifications

Electrical

	110-120 V	208- 240 V	220 – 240 V
Amps	3.3- 10.0	1.8 - 5.2	1.7 -5.0
Watts	400 - 1200	425 - 1250	400 -1200
Hz	60	60	50

Cover material options:

Aluminum - die-cast aluminum finished with epoxy paint or chrome plating

Steel - cold rolled steel finished with epoxy paint

Stainless steel - with a polished (bright) or brushed (satin) finish

Dryer sizes:

Unit Size (HxWxD) - 12.5" x 9.3" x 7.6" 319 x 236 x 192 (mm)

Shipping Size (HxWxD) - 14.7" x 11.4" x 10.8" 375 x 290 x 275 (mm)

Recess kit Sizes:

Unit Size (HxWxD) - 25.0"x 15.0"x 4.0" 635 x 381 x 102 (mm)

Shipping Size (HxWxD) - 30" x 15" x 7.88" 760 x 380 x 200 (mm)

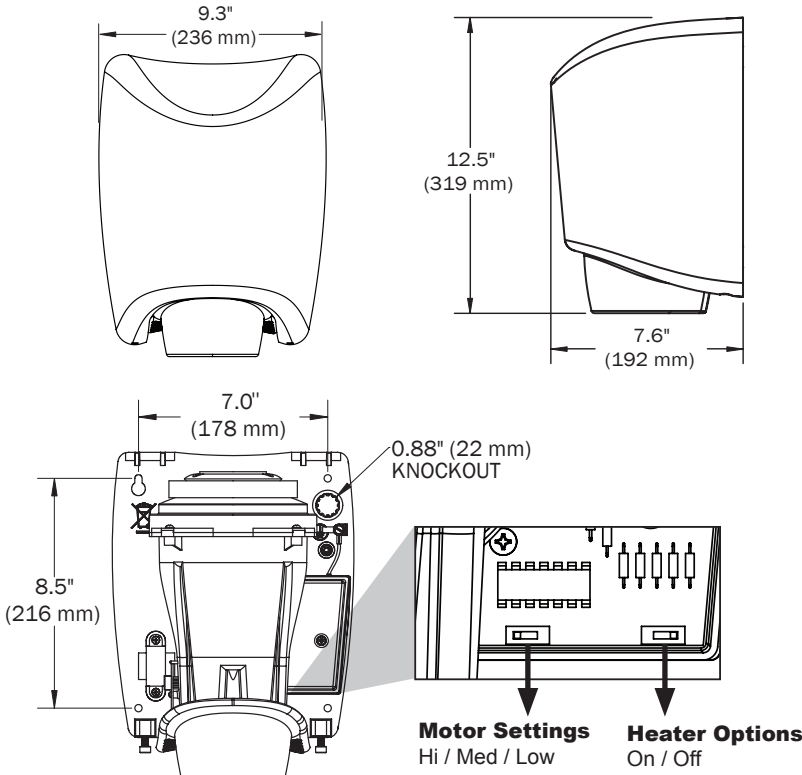
SMARTdri Plus

Cover Material	Cover Finish / Kit	110-120 V	208 - 240 V (60Hz)	220 - 240 V (50Hz)	Unit Weight
Aluminum	White	# K-974P	# K4-974P	# K48-974P	11.6 lbs/5.2 kgs
Aluminum	Polished Chrome	# K-970P	# K4-970P	# K48-970P	11.6 lbs/5.2 kgs
Aluminum	Brushed Chrome	# K-971P	# K4-971P	# K48-971P	11.6 lbs/5.2 kgs
Aluminum	Black	# K-162P	# K4-162P	# K48-162P	11.6 lbs/5.2 kgs
Steel	White	# K-975P	# K4-975P	# K48-975P	14.2 lbs/6.4 kgs
Stainless Steel	Polished	# K-972P	# K4-972P	# K48-972P	14.2 lbs/6.4 kgs
Stainless Steel	Brushed	# K-973P	# K4-973P	# K48-973P	14.2 lbs/6.4 kgs
Stainless Steel	Recess Kit	KKR-973			9.8 lbs/ 4.4 kgs

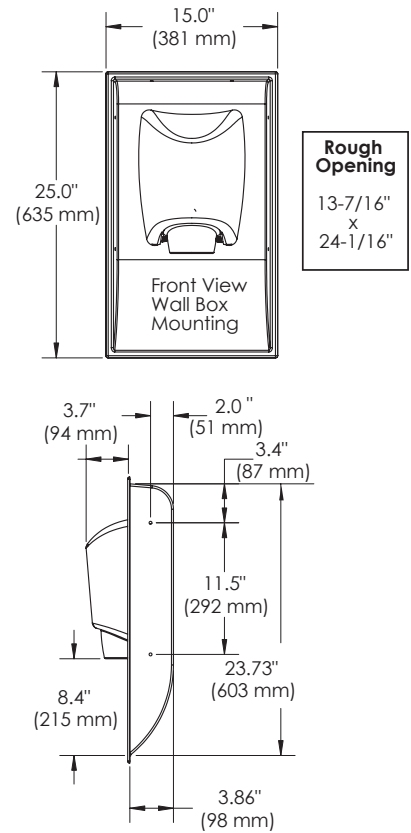
SMARTdri

Cover Material	Cover Finish / Kit	110-120 V	208 - 240 V (60Hz)	220 - 240 V (50Hz)	Unit Weight
Aluminum	White	# K-974	# K4-974	# K48-974	11.6 lbs/5.2 kgs
Aluminum	Polished Chrome	# K-970	# K4-970	# K48-970	11.6 lbs/5.2 kgs
Aluminum	Brushed Chrome	# K-971	# K4-971	# K48-971	11.6 lbs/5.2 kgs
Aluminum	Black	# K-162	# K4-162	# K48-162	11.6 lbs/5.2 kgs
Steel	White	# K-975	# K4-975	# K48-975	14.2 lbs/6.4 kgs
Stainless Steel	Polished	# K-972	# K4-972	# K48-972	14.2 lbs/6.4 kgs
Stainless Steel	Brushed	# K-973	# K4-973	# K48-973	14.2 lbs/6.4 kgs
Stainless Steel	Recess Kit	KKR-973			9.8 lbs/ 4.4 kgs

Surface Mounted



Recessed Mounted



Placement Instruction

- Hand dryers should be spaced at least 2 feet apart, near but not over the wash basin
- In congested areas, dryers should be located to create a flow from wash basin to dryer to exit
- SMARTdri Series should be placed more than 18" above or away from reflective surfaces which may interfere with the automatic sensor operation.
- Dryer Quantity Recommendation:
Average Traffic: 1 dryer per 2 wash basins
Heavy Traffic: 1 dryer per wash basin
Industrial 54" Circular wash fountains: 4 dryers per sink
- Recommended mounting heights from floor to dryer bottom edge

Men's washrooms	46" (117 cm)
Women's washrooms	44" (112 cm)
Children's washrooms, ages 4-7	32" (81 cm)
Children's washrooms, ages 7-10	36" (91 cm)
Children's washrooms, ages 10-13	40" (102 cm)
Children's washrooms, ages 13-17	44" (112 cm)
Handicap Mounting Height	37" (94 cm)

Installation Guide

- SMARTdri™ Series hand dryers require a dedicated 15 AMP circuit and must be properly grounded
- GFI circuit protection is recommended.
- One side of dryer should be mounted to a stud

Certification Approved



Warranty



5 year limited warranty



5700 McDermott Drive
Berkeley, IL 60163 U.S.A.
800-323-0701
www.worlddryer.com

92-MT052 Rev01