

SLIMdri™

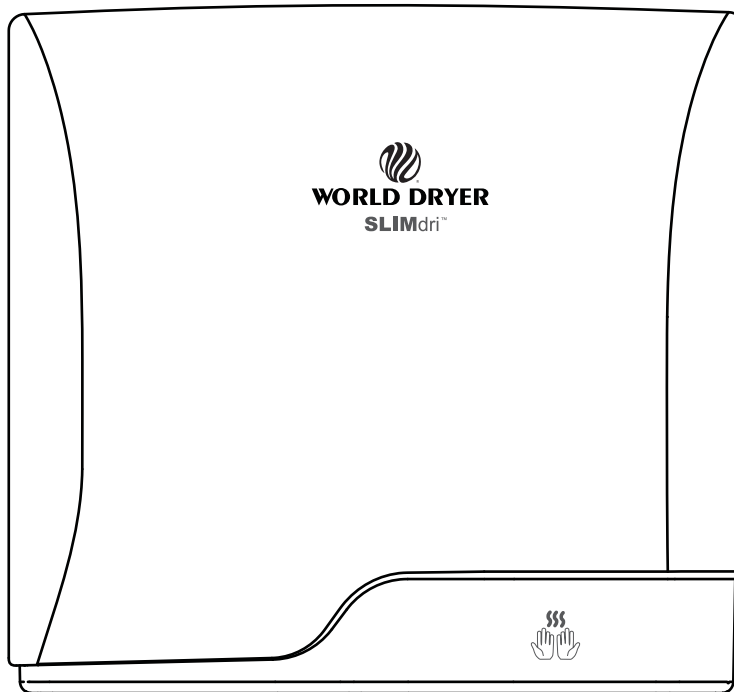
Surface-Mounted ADA Compliant Hand Dryer

Secamanos inteligente altamente eficiente
Sèche-mains intelligent à haute efficacité



All "L" Series

Todos los modelos K y de la Serie K4
Ensemble de la série K et K4



Please read and save these instructions. Read carefully before attempting to assemble, install, operate or service the product described. Protect yourself and others by observing all safety information. Failure to comply with instructions could result in personal injury and/or property damage. Retain instructions for future reference.

Por favor lea y guarde estas instrucciones. Léelas cuidadosamente antes de tratar de montar, instalar, operar o dar mantenimiento al producto aquí descrito. Protéjase usted mismo y a los demás observando toda la información de seguridad. No seguir las instrucciones puede ocasionar daños, tanto personales como materiales. Guarde estas instrucciones para referencia en el futuro.

Lire et conservez ces instructions. Les lire attentivement avant de commencer à assembler, installer, faire fonctionner, réparer ou entretenir l'appareil décrit. Pour se protéger et protéger autrui, observer toutes les consignes de sécurité. Le fait de négliger d'appliquer ces instructions peut entraîner des blessures et/ou des dommages matériels. Conserver ces instructions pour consultation ultérieure.



World Dryer Corporation


5700 McDermott Drive
Berkeley, IL 60163 U.S.A.
800-323-0701
www.worlddryer.com

Description

World warm air hand dryer is a surface-mounted ADA (American Disabilities Act) compliant dryer powered by a universal brush motor, and delivers up to 1000 watts of drying power. The dryer incorporates an integrated heating element with options for operation with, or without, heated air. An infrared sensor is used to automatically activate the dryer. These models are intended for use in commercial, industrial, office and public facility environments.

Electrical Specifications

Table 1

Models	Type	Electrical Input	Rated Amperage	Rated Watts	Certifications
L-XXX	Automatic	115, 208, 230 VAC, 50/60 Hz	8.7A	1000	

General Safety Information



DANGER

Failure to disconnect the power source before installation or servicing can result in serious injury or death from electric shock.

- Always disconnect the power source before servicing or installing the hand dryer.



DANGER

Failure to properly ground this unit could result in severe electrical shock and/or death.

- This hand dryer must be properly grounded for safe operation. An identified ground connection point is supplied on the hand dryer's wall base.
- We recommend GFCI protection in wet or damp locations or as required by local code.



WARNING

Risk of fire, personal injury or property damage are possible if local codes, or safety recommendations are not followed.

- Installation and servicing should only be performed by qualified electrical technicians.
- Use only the electrical power (voltage and frequency) specified for the model hand dryer being installed. See Table 1 - Electrical Specifications.
- Connect the hand dryer to the nearest suitable distribution panel.
- To limit a voltage drop, and insure efficient operation, use No. 12 AWG wire or larger as required by local electrical codes.
- Always connect to a branch circuit with circuit breaker or fuse protection with an electrical rating greater than the model hand dryer's rated amperage shown in Table 1 - Electrical Specifications in accordance with the NEC (National Electrical Code) and/or CEC (Canadian Electrical Code).
- To avoid a hazard due to inadvertent resetting of the thermal cutout, the hand dryer must not be supplied through an external switching device, such as a timer, or connected to a circuit that is regularly switched on and off by the utility.
- Each automatic model hand dryer must have a dedicated circuit.
- Route all field wiring away from moving parts within the hand dryer.
- The NEC (National Electrical Code) and/or CEC (Canadian Electrical Code) require installation fittings with smooth, rounded surfaces for protection of power supply cables.



CAUTION

Improper mounting could result in personal injury or property damage.

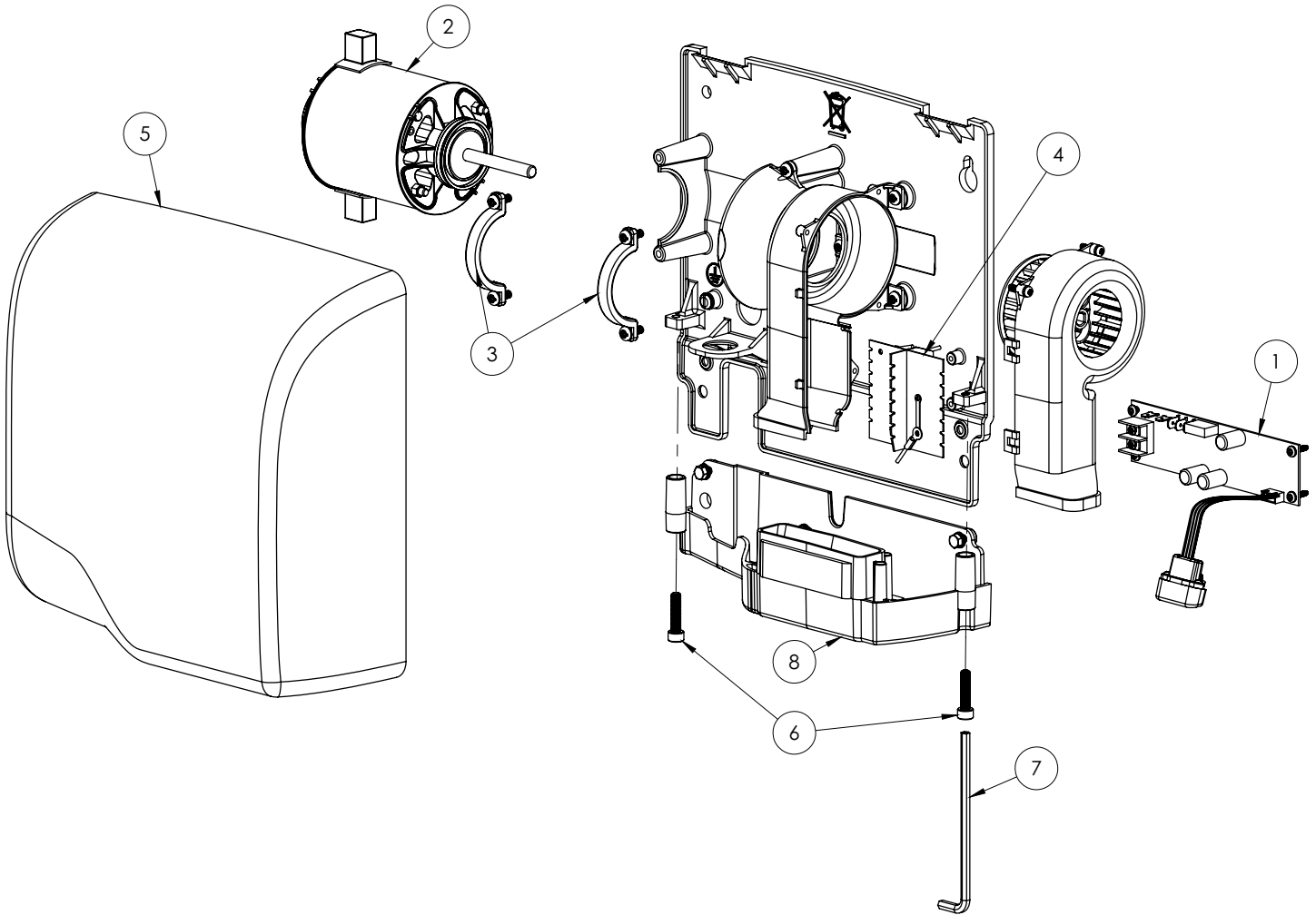
- Follow the mounting height recommendations in Table 2.
- On a stud wall, one side of the hand dryer should be mounted to an existing stud.

Unpacking

1. Remove all packing material. Recycling is recommended.
2. Carefully remove the hand dryer from the shipping carton, using care not to drop the appliance.
3. Inspect carefully for any damage that may have occurred during transit. Check for any loose, missing or damaged parts. If the hand dryer is damaged, promptly inform the dealer where you purchased it.

Parts List

Repair Parts List For SLIMdri™ Hand Dryer



All kits include fasteners needed for installation. Part Number for Cover Assy. (Reference Number 5) varies with model number for hand dryer.

For Repair Parts, visit www.WorldDryer.com
Please provide following information:

- Model number
- Serial number
- Part description and number shown in parts list

#	Description	Part Number
1	Kit, Dryer Controls	16-10090K
2	Kit, Motor	32-120K
3	Kit, Motor Clamps	33-10082K
4	Kit, Heating Element	21-10091K
5	Cover Assy - Alum - White	20-L974
	Cover Assy - Alum - Polished Chrome	20-L970
	Cover Assy - Alum - Brushed Chrome	20-L971
	Cover Assy - Cast Iron - Porcelain Enamel	20-L976
6	Kit, Security Screws	46-04022K
7	Wrench, Security	56-10092
8	Kit, Bottom Tray / Grill - (Models L-976)	28-10078K
	Kit, Bottom Tray / Grill - (Models L-970, L-971 and L-974)	28-10088K

Installation

1. Disconnect the power source.
2. Using Table 2 to determine the recommended mounting height, select a mounting location for the hand dryer where no reflective surfaces or objects (such as a hand basin) are directly under the infra-red sensor eye. The infra-red sensor eye is visible from the bottom of the dryer. The minimum mounting distance from bottom of the dryer to a reflective surface is 18 in (46 cm). When two or more dryers are installed, they should be spaced apart 24 in (61 cm)
3. Use the security hex key supplied to turn the cover mounting screws **clockwise** to remove the cover from the dryer.
4. Using the mounting template provided, mark locations for the 4 mounting bolt holes on the wall.
5. Fasten the base to the wall, using the type of bolts recommended in Table 3
6. Each dryer must have its own dedicated circuit.
7. Connect the dryer to the nearest suitable distribution panel.
8. Replace cover, turn screws **counter-clockwise** making certain not to over-tighten.

IMPORTANT: Consult local and general regulations before performing dryer installation. Ensure the electrical network is not overloaded. Always connect to a dedicated branch circuit with circuit breaker or fuse protection and an electrical rating greater than the model hand dryer's rated amperage shown in Table 1 - Electrical Specifications in accordance with the NEC (National Electrical Code) and/or CEC (Canadian Electrical Code).

Table 2

Recommended Mounting Heights from Floor to Dryer Bottom Edge	in. (cm.)
Men's washrooms	46 (117)
Women's washrooms	44 (112)
Children's washrooms, ages 4-7	32 (81)
Children's washrooms, ages 7-10	36 (91)
Children's washrooms, ages 10-13	40 (102)
Children's washrooms, ages 13-17	44 (112)
Handicap Mounting Height	37 (94)

Table 3

Type of Wall	Type of Bolt	Minimum Bolt Length
Hollow Tile, Lath, Wall Board or Metal	1/4" (M6) screw Type or Wing Type toggle Bolts	Dependent on wall thickness
Cement, Brick, or Tile Covered Cement or Brick	1/4" (M6) Stud Type Expansion Bolts	3" (76mm)
Stud Wall with wood Backing	No 16 (M8) Wood Screws	2 3/4" (70mm)

Adjusting Heating Element Controls

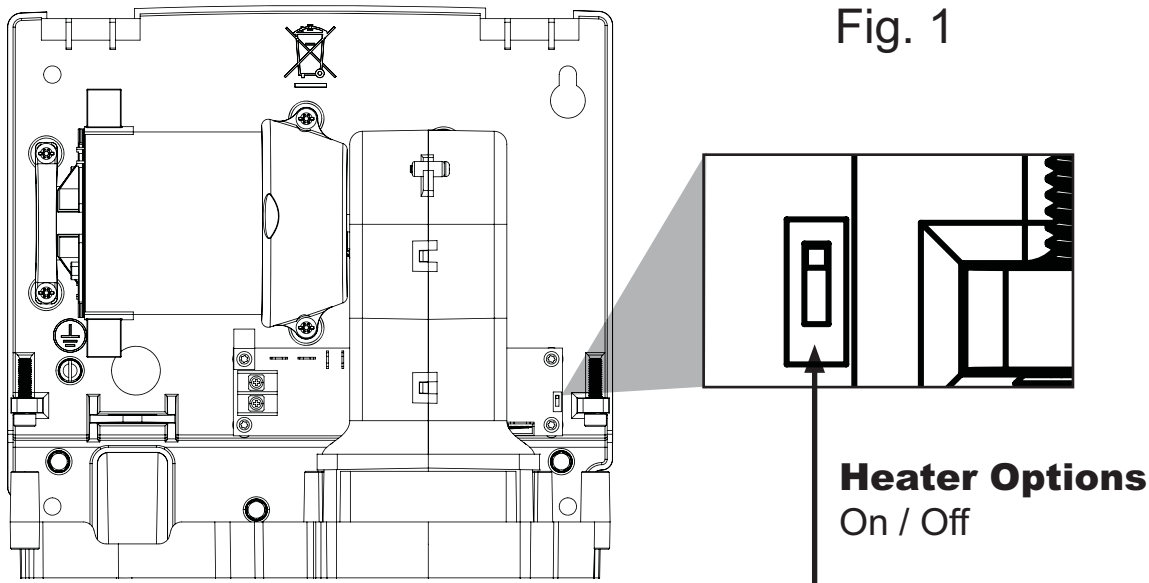
The dryer can be operated with the heating element "ON" or "OFF".

Note: The factory setting for the heating element is "ON".

The heating element control is located on the printed circuit board inside the dryer.

To adjust heating element controls:

1. Disconnect the power source.
2. Use the security hex key supplied to turn the cover mounting screws **clockwise** to remove the cover from the dryer.
3. Locate the heating element control switch on the printed circuit board (see Fig. 1)
4. Position the heating element control switch to "ON" or "OFF" as desired.
5. Reassemble the dryer cover using the security hex key supplied to turn the cover mounting screws **counter-clockwise** and tighten until snug. Do not over tighten.



Maintenance and Cleaning Instructions

IMPORTANT: *The dryer may collect lint and debris that is naturally present in the air. Excessive build up of lint and debris can damage the motor and heating element. The dryer should be cleaned on a routine schedule to maintain the dryer in good operating condition. With light to moderate wash room traffic, cleaning once a year is recommended. If wash room traffic is high, cleaning every 6 months is recommended.*

To clean the hand dryer:

1. Disconnect the power source.
2. Use the security hex key supplied to turn the cover mounting screws clockwise to remove the cover from the dryer.
3. Use a soft-medium bristle paint brush to clean lint, dust and debris from the air intake slots, and the motor's exterior.
4. After cleaning, reassemble the dryer cover using the security hex key supplied to turn the cover mounting screws counter-clockwise and tight until snug. Do not over tighten.

Troubleshooting Chart

Dryer fails to start.	Sensor obstruction.	Check sensor lens for foreign material.
	No power to the unit.	Look directly at sensor lens for LED light. If LED light is "OFF", check incoming power supply is "ON". Check electrical connections.
	Faulty Circuit Board (PCB)	If LED light is "ON". Place hands under sensor. Listen for PCB relay "Click.". If no "Click" is heard, replace the PCB.
	Motor brushes or motor needs replacement.	If incoming power supply is confirmed "ON" and LED light is not visible, replace the PCB.
Dryer will not shut off.	Loose electrical connections	Check incoming power supply connections are secure.
		Replace circuit board (PCB)
	Faulty circuit board (PCB)	Replace dryer controls.

After power to dryer is switched "ON", dryer runs for approximately 30 seconds, then will not restart.	Sensor obstruction or sensor lens scratched or damaged.	Check sensor lens for foreign material or dirt. Clean lens with soft damp cloth and mild cleaning agent. If sensor lens is damaged or scratched, replace sensor.
Dryer "Ghosts" (starts with no hands present.)	Mounted too close to counter or object.	Relocate the object or dryer according to installation instructions to a minimum 18" above any reflective surface and at least 24" from an adjacent hand dryer.
	Electrical noise from incoming power supply or nearby infrared actuated device.	Confirm dryer base is securely grounded.
		Confirm dryer is on a dedicated circuit.
		Check if any nearby infrared actuated device is triggering dryer.
Dryer air too cold.	Faulty circuit board (PCB)	Replace circuit board (PCB)
	Heater control switch is in the "OFF" position.	Re-position heater control switch to "ON".
	Faulty circuit board (PCB)	Place hands under sensor. Listen for PCB relay "Click.". If no "Click" is heard, replace the PCB.
Dryer air too hot.	Faulty heating element	If PCB Relay "Click" is heard and dryer continues to blow cold air, replace heating element.
	Excessive lint / debris build up	See Maintenance and Cleaning Instructions (pg 5)
Dryer air output is too slow.	Excessive lint / debris build up	See Maintenance and Cleaning Instructions (pg 5)
Excessive Noise or Vibration	Loose mounting screws.	Confirm dryer is securely mounted to wall and motor mounts to dryer base are tight and secure.
	Foreign material in fan housing or dryer outlet.	Check and remove any foreign material in fan housing or dryer outlet air slot.

Limited Warranty

World LIMITED TEN – YEAR WARRANTY. World Warm Air Hand Dryer, Model covered in this manual, is warranted by World Dryer Corporation to the original user against defects in workmanship or materials under normal use for 10 years after date of purchase for all components except motor brushes (3 years), motor (5 years) and sensor (5 years). Any part which is determined to be defective in material or workmanship and returned to an authorized service location, as World designates, shipping costs prepaid, will be, as the exclusive remedy, repaired or replaced at World's option. For limited warranty claim procedures, see PROMPT DISPOSITION below. This limited warranty gives purchasers specific rights from jurisdiction to jurisdiction.

LIMITATION OF LIABILITY. To the extent allowable under applicable law, World's liability for consequential and incidental damages is expressly disclaimed. World's liability in all events is limited to and shall not exceed the purchase price paid.

WARRANTY DISCLAIMER. World has made a diligent effort to provide product information and illustrate the products in this literature accurately; however, such information and illustrations are for the sole purpose of identification, and do not express or imply a warranty that the products are MERCHANTABLE, or FIT FOR A PARTICULAR PURPOSE, or that the products will necessarily conform to the illustrations or descriptions. Except as provided below, no warranty or affirmation on fact, expressed or implied, other than as stated in the "LIMITED WARRANTY" above is made or authorized by World.

PRODUCT SUITABILITY. Many jurisdictions have codes and regulations governing sales, construction, installation, and/or use of products for certain purposes, which may vary from those in neighboring areas. While World attempts to assure that the products comply with such codes, it cannot guarantee compliance, and cannot be responsible for how the product is installed or used. Before purchase and use of a product, review the product application, and all applicable national and local codes and regulations, and be sure that the product, installation, and use will comply with them.

Certain aspects of disclaimers are not applicable to consumer products; e.g., (a) some jurisdictions do not allow the exclusion or limitation of incidental or consequential damages, so the above limitation or exclusion may not apply to you; (b) also, some jurisdictions do not allow a limitation on how long an implied warranty lasts, so the above limitation may not apply to you; and (c) by law, during the period of this Limited Warranty, and implied warranties of implied merchantability or fitness for particular purpose applicable to consumer products purchased by consumers, may not be excluded or otherwise disclaimed.

Manufactured by World Dryer Corporation, Berkeley, Illinois 60163 U.S.A.

PROMPT DISPOSITION. World will make a good faith effort for prompt correction or other adjustment with respect to any product which proves to be defective within limited warranty. For any product believed to be defective within limited warranty, first write or call dealer from whom the product was purchased. Dealer will give additional directions. If unable to resolve satisfactorily, write to World at address below, giving dealer's name, address, date, and number of dealer's invoice, and describing the nature of defect. Title and risk of loss pass to buyer on delivery to common carrier. If product was damaged in transit to you, file claim with carrier.



5700 McDermott Drive
Berkeley, IL 60163 U.S.A.
800-323-0701
www.worlddryer.com

68-L Rev03