



WORLD DRYER

SANITIZE + DRY™

Sanitizing Dryer

The **SANITIZE + DRY** Sanitizing Dryer effectively kills **99.99% of common bacteria and viruses¹**, including:

- SARS-CoV-2 (COVID-19)
- Influenza A (H1N1)
- Human Rhinovirus (common cold)
- Escherichia Coli (E. Coli)
- Norovirus
- Staphylococcus Aureus
- Methicillin-Resistant Staphylococcus Aureus (MRSA)
- Enterococcus Faecium

Product Benefits

- Kills 99.99% of common bacteria and viruses on hard surfaces¹
- Cold plasma technology kills bacteria and viruses in the drying air providing a cleaner, more hygienic environment
- ADA compliant without the need for expensive recess kits and associated installation costs
- Simple, efficient design does not require sanitizer consumables, such as HEPA filters, UV lamps, disinfecting chemicals, or paper
- Optimized technology offers high-speed drying at low energy consumption
- Adjustable 3-speed motor controls optimize sound, comfort and energy efficiency
- Sleek, durable design complements a variety of different aesthetics
- Finishes include Two-Tone Black, Two-Tone White and Two-Tone Brushed
- A 10-year warranty offers protection and peace of mind



IP24



ADA COMPLIANT



PERFORMANCE	
Dry Time	12 seconds (adjustable)
Air Velocity	150 – 225 mph (13,200 – 19,800 LFM)
Air Flow	42 – 64 CFM
Air Temperature (At 70° F room temperature, 21° C)	55° C
Sound (decibels)*	69 dBA

*Sound measured at 79 in (2 m) in semi-anechoic chamber.

ELECTRICAL		
Voltage	120-277 VAC (universal)	
Power	120 VAC	950 Watts
	208-240 VAC	950 Watts
	277 VAC	1150 Watts
Frequency	50/60 Hz	
Recommended Circuit	Dedicated 15 Amp	

CONSTRUCTION				
Cover Options (Material / Finish)	Die Cast Aluminum (Two-Tone White) Die Cast Aluminum (Two-Tone Black)	Stainless Steel (Two-Tone Brushed)	Speed Control	3 Speed Selector Switch
ADA Compliant	Surface-Mounted Compliant Recess Kit	Yes Not Required	Heat On/Off	No
Motor	Thermally-protected universal type, through-flow discharge vacuum type, 5/8 HP, 31,000 RPM		Activation	Automatic touch-free infrared activation with vandal-resistant lock out feature
Heating Element	Nichrome wire construction, 475 watts, with auto-reset thermal-protector so power is disconnected if air is not flowing		Enclosure Security	Cover attached with tamper-resistant screws; security wrench included
Electronic Controls	Universal voltage (120 – 277 V)		Sanitization	Utilizes cold plasma technology to effectively kill 99.99% of common bacteria and viruses ¹
			Filtration	Standard (non-HEPA) to maximize service life
Electrical Connection Access	In wall connection	Yes	10-Year Limited Warranty	Warranted by the manufacturer to be free from defects in material workmanship for a period of ten (10) years from the date of purchase. See warranty statement for limitations and exclusions.
	Bottom entry surface-mounted connection	Yes		
	Top entry surface-mounted connection	Accessory kit available		

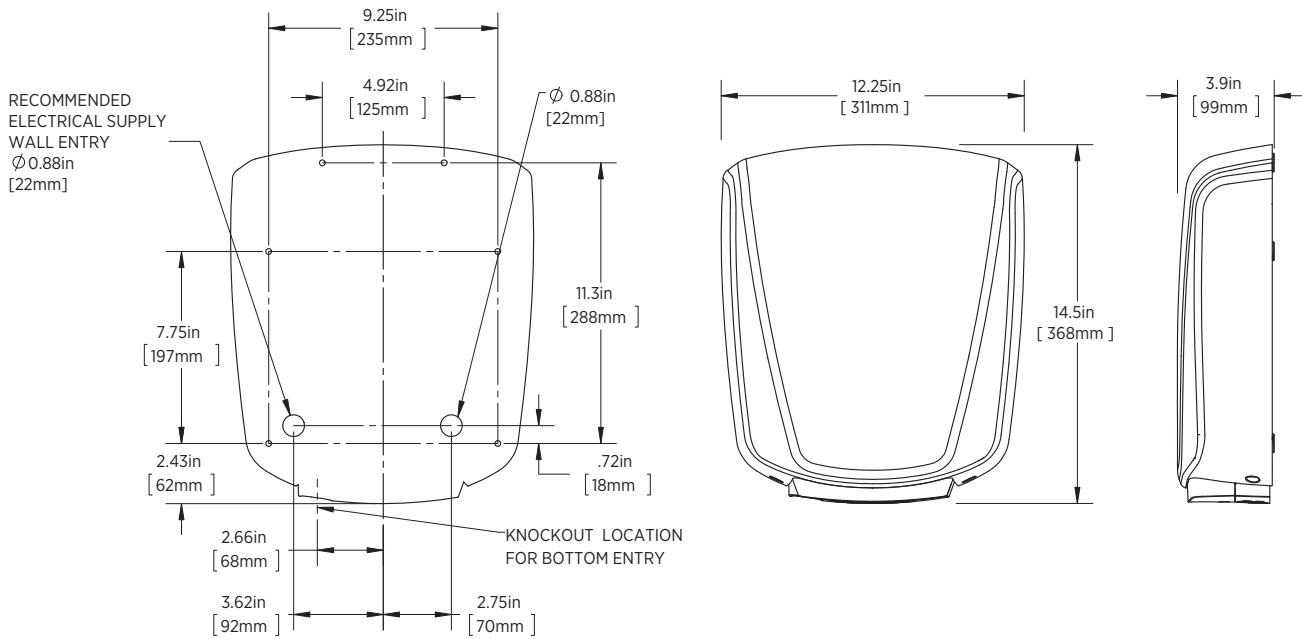
(10/25) 800-124

WORLD DRYER CORP. 3602 W. Washington St., Suite 200, Phoenix, AZ 85009 800-323-0701
worlddryer.com

Product Image. S-762A

Page 1 of 2

FRONT VIEW



Placement Instruction

Hand dryers should be spaced at least 2 feet apart, near but not over the wash basin

- In congested areas, dryers should be located to create a flow from wash basin to dryer to exit
- SANITIZE + DRY should be mounted at least 18" above or away from reflective surfaces which may interfere with the automatic sensor operation
- Dryer Quantity Recommendation:
 - Average traffic: 1 dryer per 2 wash basins
 - Heavy traffic: 1 dryer per wash basin
 - Industrial 54" circular wash fountains: 4 dryers per sink

Recommended mounting heights from floor to dryer bottom edge	
Men's washrooms	46" (117 cm)
Women's washrooms	44" (112 cm)
Children's washrooms, ages 4-7	32" (81 cm)
Children's washrooms, ages 7-10	36" (91 cm)
Children's washrooms, ages 10-13	40" (102 cm)
Children's washrooms, ages 13-17	44" (112 cm)
Handicap Mounting Height	37" (94 cm)

Installation Guide

- SANITIZE + DRY hand dryers require a dedicated circuit and must be properly grounded
- GFI circuit protection is recommended
- One side of dryer should be mounted to a stud

COVER MATERIAL	COVER FINISH / KIT	110-120 / 208 / 220-277 V	UNIT WEIGHT	SHIPPING WEIGHT	UNIT SIZE (HXWXD) INCH / MM	SHIPPING SIZE (HXWXD) INCH / MM
Aluminum	Two-Tone White	*S-774A	8.6 lbs / 3.9 kgs	11 lbs / 5 kgs	14.5" x 12.25" x 3.9" / 368 x 311 x 100	17.3" x 15.2" x 7.5" / 440 x 385 x 190
Aluminum	Two-Tone Black	*S-762A	8.6 lbs / 3.9 kgs	11 lbs / 5 kgs	14.5" x 12.25" x 3.9" / 368 x 311 x 100	17.3" x 15.2" x 7.5" / 440 x 385 x 190
Stainless Steel	Two-Tone Brushed	*S-773A	10.2 lbs / 4.6 kgs	12.5 lbs / 5.6 kgs	14.5" x 12.25" x 3.9" / 368 x 311 x 100	17.3" x 15.2" x 7.5" / 440 x 385 x 190
	Optional Top Entry Adapter Kit	17-10504K	3.8 lbs / 1.7 kgs	6.2 lbs / 2.8 kgs	16" x 13.8" x 1.2" / 406 x 350 x 30	16.9" x 14.8" x 3.5" / 430 x 375 x 90
	Standard Filter	93-10587	0.1 lbs / 0.05kgs	0.5lbs / 0.23kgs	6.2" x 2.2" x 0.6" / 158 x 56 x 16	10" x 5" x 1" / 254 x 127 x 25

'Kills 99.99% of common germs in the drying air and on surfaces exposed to the drying air. Laboratory tests confirm 99.99% efficacy against Influenza A, SARS-CoV-2 (COVID-19), Norovirus, Rhinovirus (human cold virus), E. coli, Staphylococcus Aureus, Methicillin-Resistant Staphylococcus Aureus (MRSA), and Enterococcus Faecium. Results project efficacy against a broad range of illness-causing germs; efficacy against a different specific germ may be less.

Efficacy is achieved within a few seconds of exposure. As with any effective germicidal feature, actual efficacy is dependent on intensity of exposure and exposure duration. Tests were performed in ISO/IEC 170125 accredited laboratories by personnel qualified in performing microbiological efficacy testing to established test standards.

**Currently unavailable in California and Canada.*

(10/25) 800-124

WORLD DRYER CORP. 3602 W. Washington St., Suite 200, Phoenix, AZ 85009 800-323-0701

worlddryer.com