

SANITIZE + DRY™

Sanitizing Dryer

Kills 99.99% of common bacteria and viruses¹



The SANITIZE + DRY™ Sanitizing Dryer effectively kills 99.99% of common bacteria and viruses, including SARS-CoV-2 (COVID-19), E. coli, Norovirus, Influenza A, and the common cold.

The SANITIZE + DRY Sanitizing Dryer uses cold plasma technology to eliminate germs, bacteria and viruses without chemicals. It works by releasing tiny, charged particles that break apart harmful microorganisms in the air and on hard surfaces, rendering them incapable of surviving or spreading.

This quick, sanitary process is gentle on users and the environment requiring:

- **NO CHEMICALS**
- **NO UV LAMPS**
- **NO SANITIZING CONSUMABLES**

Sleek, durable, and unobtrusive, the SANITIZE + DRY Sanitizing Dryer is ADA compliant and integrates effortlessly with diverse design styles, ensuring a clean and confident user experience. It combines sanitization, performance and value, all at a price comparable to traditional dryers.



Sanitizes Almost Anything

Kills 99.99% of bacteria and viruses on common hard surfaces, including phones, keys, wallets, and jewelry¹



Hygienic

Cold plasma technology kills bacteria and viruses in the drying air, providing a cleaner, more hygienic environment



No Sanitizing Consumables

Simple, efficient design does not require any consumables, such as HEPA filters, UV lamps, disinfecting chemicals, or paper



Energy Efficient

Optimized technology offers high-speed drying at low energy consumption



ADA-Compliant Design

Achieves ADA compliance without the need for expensive recess kits and their associated installation costs

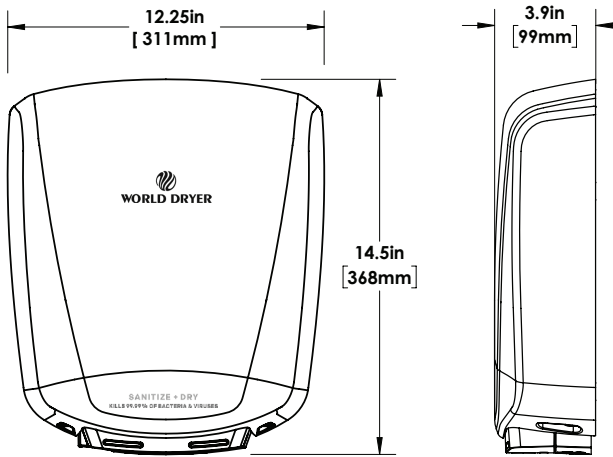


Adjustable Speed

Adjustable 3-speed motor controls optimize sound, comfort and energy efficiency

SANITIZE + DRY™ SANITIZING DRYER

Specifications



99.99% EFFECTIVE¹

| | |
|--|----------------------------|
| SARS-CoV-2 (COVID-19) | Influenza A (H1N1) |
| Human Rhinovirus (common cold) | Escherichia Coli (E. coli) |
| Norovirus | Staphylococcus Aureus |
| Methicillin-Resistant Staphylococcus Aureus (MRSA) | Enterococcus Faecium |



ADA COMPLIANT



IP24



| COVER MATERIAL | COVER FINISH / KIT | 110-120 / 208 / 220-277 V | UNIT WEIGHT | SHIPPING WEIGHT | UNIT SIZE (HXWXD) INCH [MM] | SHIPPING SIZE (HXWXD) INCH [MM] |
|--------------------------------|--------------------|---------------------------|------------------|------------------|--|---|
| Aluminum | Two-Tone White | *S-774A | 8.6 lb / 3.9 kg | 11 lb / 5kg | 14.5" x 12.25" x 3.9" [368 x 311 x 100] | 17.3" x 15.2" x 7.5" [440 x 385 x 190] |
| | Two-Tone Black | *S-762A | | | | |
| Stainless Steel | Two-Tone Brushed | *S-773A | 10.2 lb / 4.6 kg | 12.5 lb / 5.6 kg | | |
| Optional Top Entry Adapter Kit | 17-10310 | | 3.8 lb / 1.7 kg | 6.2 lb / 2.8 kg | 16" x 13.8" x 1.2" [406 x 350 x 30] | 16.9" x 14.8" x 3.5 [430 x 375 x 90] |

| ELECTRICAL | |
|----------------------------|---------------------------|
| Rated Voltage | 120 – 277 VAC (universal) |
| Rated Power | 120 VAC 950W |
| | 208 - 240 VAC 950 W |
| | 277 VAC 1150 W |
| Frequency | 50 / 60 Hz |
| Recommended Circuit | Dedicated 15 Amp |



Two-Tone Brushed



Two-Tone White



Two-Tone Black

Sound Level: Sound at 79 in (2 m): 69 dBA measured in semi-anechoic chamber.

Experience the difference in quality and performance. Choose the SANITIZE + DRY Sanitizing Dryer for a sanitary, worry-free drying experience.

¹Kills 99.99% of common germs in the drying air and on surfaces exposed to the drying air. Laboratory tests confirm 99.99% efficacy against Influenza A, SARS-CoV-2 (COVID-19), Norovirus, Rhinovirus (human cold virus), E. coli, Staphylococcus Aureus, Methicillin-Resistant Staphylococcus Aureus (MRSA), and Enterococcus Faecium. Results project efficacy against a broad range of illness-causing germs; efficacy against a different specific germ may be less.

Efficacy is achieved within a few seconds of exposure. As with any effective germicidal feature, actual efficacy is dependent on intensity of exposure and exposure duration.

Tests were performed in ISO/IEC 170125 accredited laboratories by personnel qualified in performing microbiological efficacy testing to established test standards.

*Currently unavailable in California and Canada.

(10/25) 800-123 | Patent zurnelkay.com/patents

WORLD DRYER CORP: 1.800.323.0701

WORLDDRYER.COM

by Zurn Elkay Water Solutions