

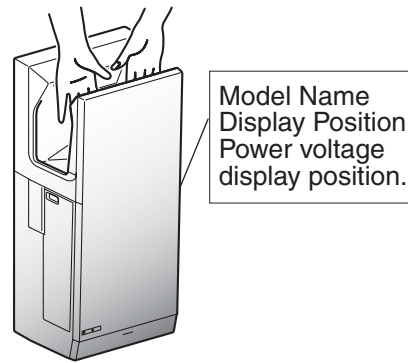


1311875HF4603

**Jet Towel** Hand dryer  
MODEL

**JT-SB116JH-G-NA**  
**JT-SB116JH-W-NA**

Unit color	-G (Grey), -W (White)
------------	-----------------------



## INSTALLATION MANUAL

## For Dealers and Installers

Read this manual thoroughly before beginning installation to ensure the unit is installed safely and correctly. Local installation standards should be obeyed and installation should be performed by the dealer or a qualified professional.

The "INSTRUCTION MANUAL" is for the customer. Be sure to hand it to the customer.

### INDEX

Safety Precautions .....	2
Pre-installation checks .....	3
■ Checking the installation environment .....	3
■ Check the unit, accessories, and items required for installation .....	3
■ Check the heater settings and air speed settings .....	3
Names of parts and external dimensions .....	4
Installation conditions .....	5
■ Required space for installation .....	5
■ Suitable walls .....	5
■ Making the unit easier to use .....	5
Installation method .....	6~11
Test Run .....	12

# Safety Precautions



## Warning

The following may lead to death or serious personal injury if the unit is handled incorrectly.

 Prohibited	<ul style="list-style-type: none"> <li>Do not install in locations where salt damage may occur, or where corrosive, neutral, or reductive gases are present. This may cause malfunctions.</li> <li>Do not scratch, damage, process, excessively bend, pull, twist or bundle the power cable, and do not place heavy objects onto it or trap it. Doing so may damage the power cable, causing fires or electric shocks.</li> </ul>	 Follow instructions	<ul style="list-style-type: none"> <li>Electrical wiring work should be done by a certified professional in conformance with the technical standards for the equipment or official standards. Incorrect wiring can cause electric shocks and fires.</li> <li>This hand dryer must have its own independent branch circuit using AWG #12 or #14 copper wire.</li> <li>The circuit should be equipped with a Ground Fault Interrupter and a 120 Vac, 20 amp circuit breaker for AWG #12 wire, or a 120 Vac, 15 amp circuit breaker for AWG #14 wire.</li> <li>Use 120 Vac power. Using the incorrect power supply may cause fires, fumes, electric shocks or malfunctions.</li> <li>Be sure to install a ground-fault circuit interrupter. Not doing so may result in electric shocks.</li> <li>A means for disconnection must be incorporated in the fixed wiring in accordance with the wiring rules.</li> </ul>
 Do not disassemble	<ul style="list-style-type: none"> <li>Do not attempt any disassembly or modification of the unit that is not expressly stated in this manual. Doing so may result in fires, electric shocks or injuries.</li> </ul>		
 Do not use in the bathroom/shower room	<ul style="list-style-type: none"> <li>Do not use in a hot location such as a shower room, where condensation may form on the unit, or where water may splash directly onto the unit. This may cause electric shocks or malfunctions.</li> </ul>		



## Caution

The following may lead to injury or damage to property if the unit is handled incorrectly.

 Prohibited	<ul style="list-style-type: none"> <li>Do not install when the product (power cable) is electrified. Doing so may result in electric shocks.</li> </ul>	 Follow instructions	<ul style="list-style-type: none"> <li>Install securely in a location strong enough to support the weight of the unit. Injuries may be caused if the unit falls off the wall.</li> <li>Wear gloves when installing the unit. Not doing so may result in injuries.</li> </ul>
----------------	---	-------------------------	--

# Pre-installation checks

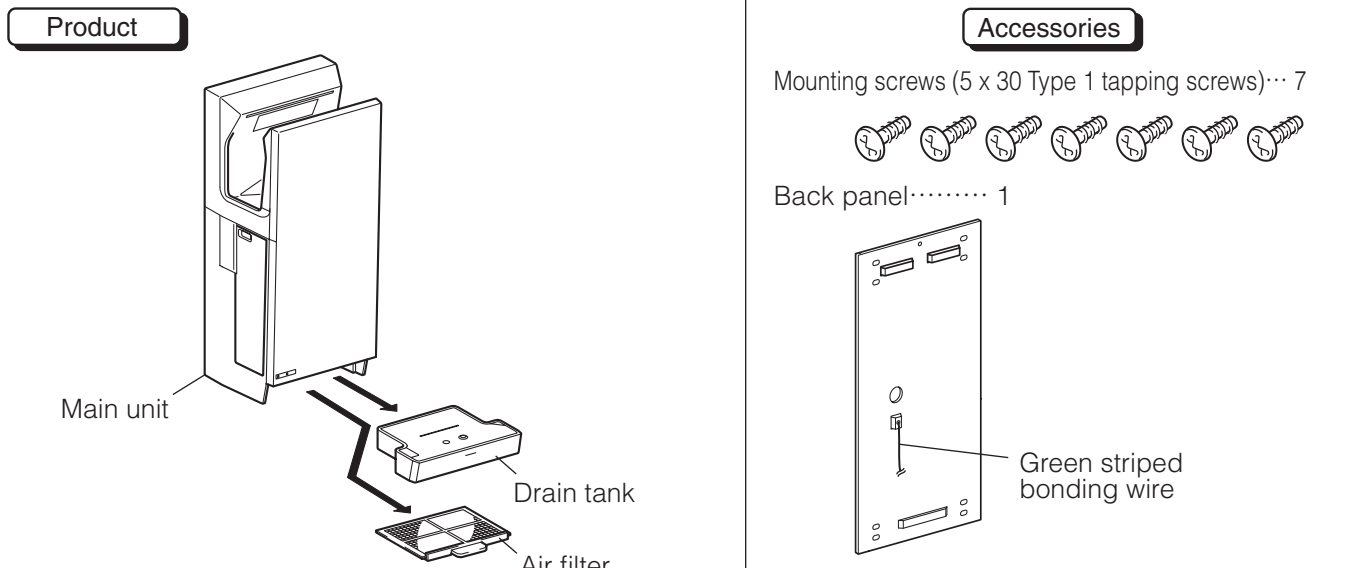
## ■ Checking the installation environment

Do not install in the following types of location.

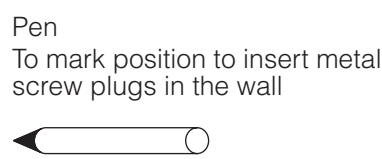
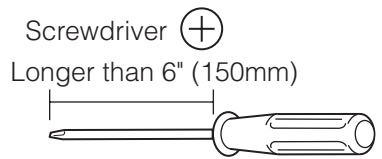
(This may cause malfunctions.)

- Outdoors • Locations where the temperature could be lower than 50°F (10°C). • Locations where there is a lot of dust. • Locations where the temperature could be higher than 104°F (40°C). • Locations where there is a lot of condensation. • Locations where salt damage may occur. • Vehicles (including ships and airplanes)
- Locations where the unit is in direct or strong sunlight. (May cause the sensor to malfunction.)
- Near food or tableware. • Locations where the unit may come into direct contact with water. • Kitchens (Where there is a risk of water splashing.)
- Locations where corrosive, neutral, or reductive gases are present. (This may shorten the working life of the unit and/or cause malfunctions.)
- Rooms that have a sterilization basin, swimming pools, bathrooms.

## ■ Check the unit, accessories, and items required for installation

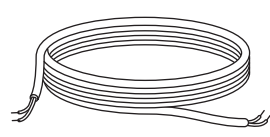


### Required items



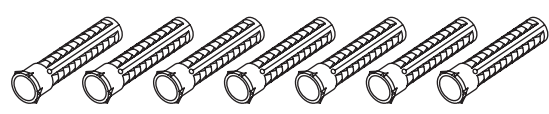
### ■ Prepare if required

AWG #12 or #14 solid or stranded copper wire



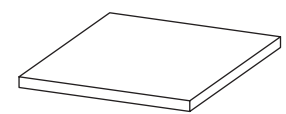
※ Not needed if the internal wiring is complete

SCREW ANCHOR···7



※ Use on concrete walls

Wall reinforcement



※ Reinforces walls made of materials other than concrete

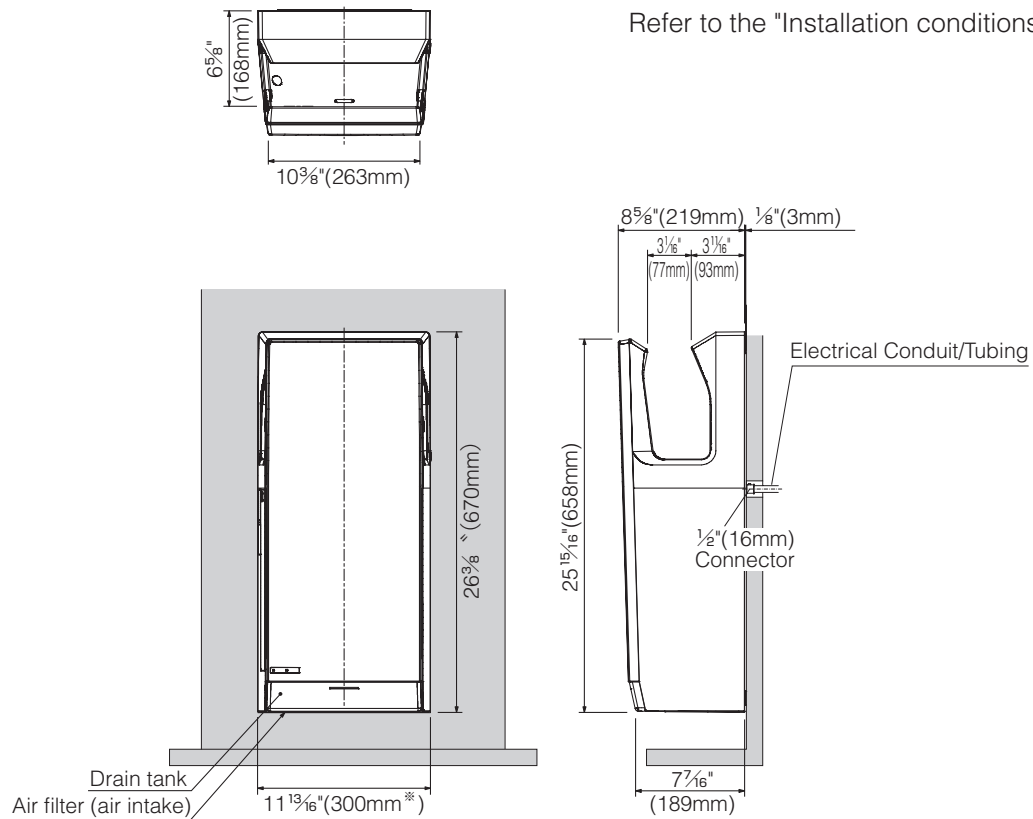
## ■ Check the heater settings and air speed settings

Check the heater ON/OFF settings and air speed HIGH/STANDARD settings with the customer beforehand.

(The customer cannot adjust the settings after installation is complete.)

# Names of parts and external dimensions

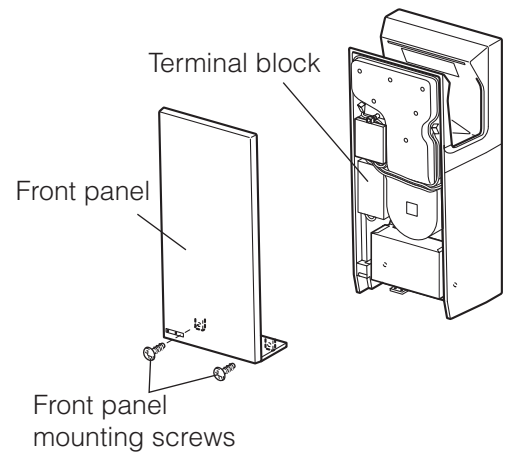
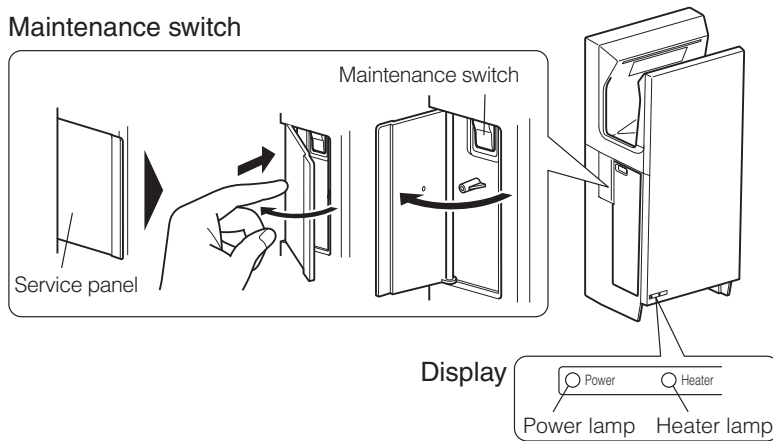
Refer to the "Installation conditions" on page 5.



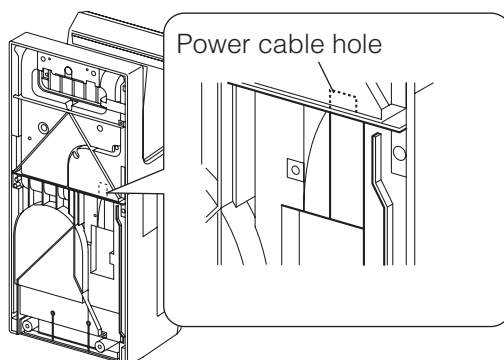
※ Maximum width of main unit in. (mm)

## ■ Front

### Maintenance switch



## ■ Rear

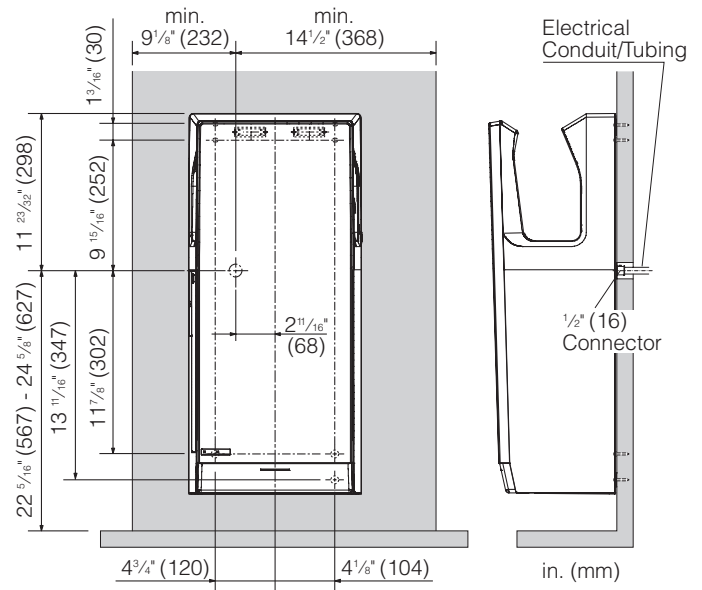


# Installation conditions

## Required space for installation

### Cautions

- Be sure to secure at least the distances listed in the right-hand figure from walls, flammable (combustible) materials and so on.
- Ensure a distance of at least 5 1/8" (130mm) from the floor. Failure to do so may result in dirt or water entering the unit, causing damage.
- Ensure to leave clearance more than 9 1/8" (232mm) on the left and 14 1/2" (368mm) on the right from Electrical Conduit/Tubing.



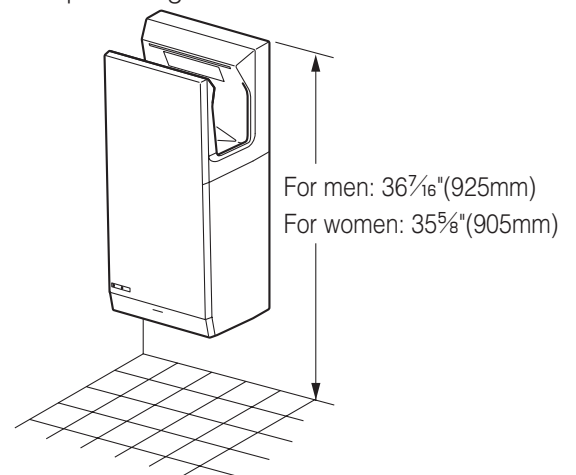
## Suitable walls

- Flat walls with no unevenness.
- Walls that can support the weight of the unit.
- Reinforce any walls made with materials other than concrete.
- When installing on a concrete wall, use commercially available metal screw anchors.

## Making the unit easier to use

- Refer to the "Installation position guide".
- Leave more than 11 1/8" (282mm) clearance on the left to make maintenance easier.
- Avoid locations where people or doors might bump into the unit.

Installation position guide



# Installation method



## Warning

- This hand dryer must have its own independent branch circuit using AWG #12 or #14 copper wire.
- Use 120 Vac power.  
Using the incorrect power supply may cause fires, fumes, electric shocks or malfunctions.



## Caution

- Do not install when the product (power cable) is electrified.  
Doing so may result in electric shocks.

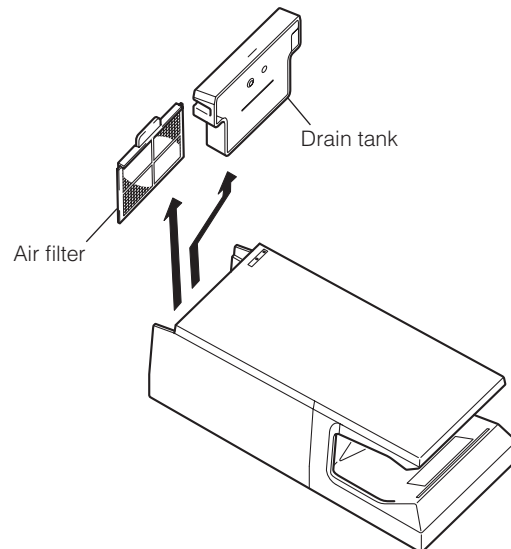
## Check

- 120 Vac power is being used.
- Make sure that a ground-fault circuit interrupter is installed in the fixed wiring.
- AWG #12 or #14 solid or stranded copper wire is being used for the power cable.

1

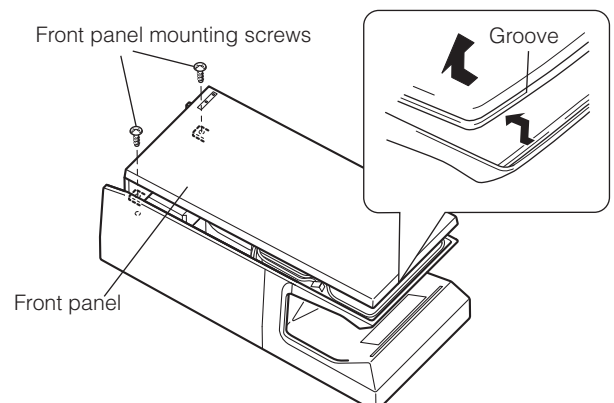
Make sure that a means for disconnection is incorporated in the fixed wiring in accordance with the wiring rules.

1. Remove the drain tank and air filter.



2

2. Remove the front panel mounting screws (2), and remove the front panel.

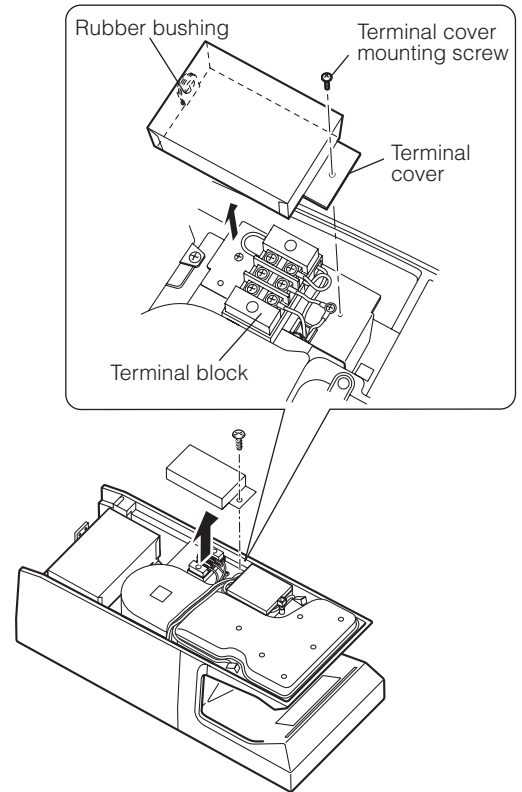


## Installation (Continued)

2

3. Remove the terminal cover mounting screw (1), and remove the terminal cover.

※ Be careful not to lose the rubber bushing.

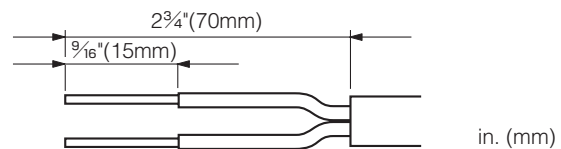


### Warning

- This hand dryer must have its own independent branch circuit using AWG #12 or #14 copper wire.
  - Use 120 Vac power.
- Using the incorrect power supply may cause fires, fumes, electric shocks or malfunctions.

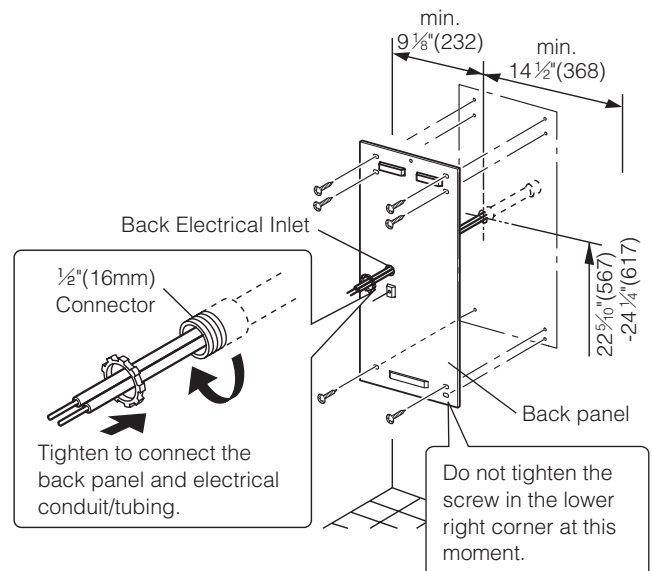
Wire it to the terminal block. (No polarity)

1. Remove  $\frac{9}{16}$ " (15mm) of wire sheath from the end.



3

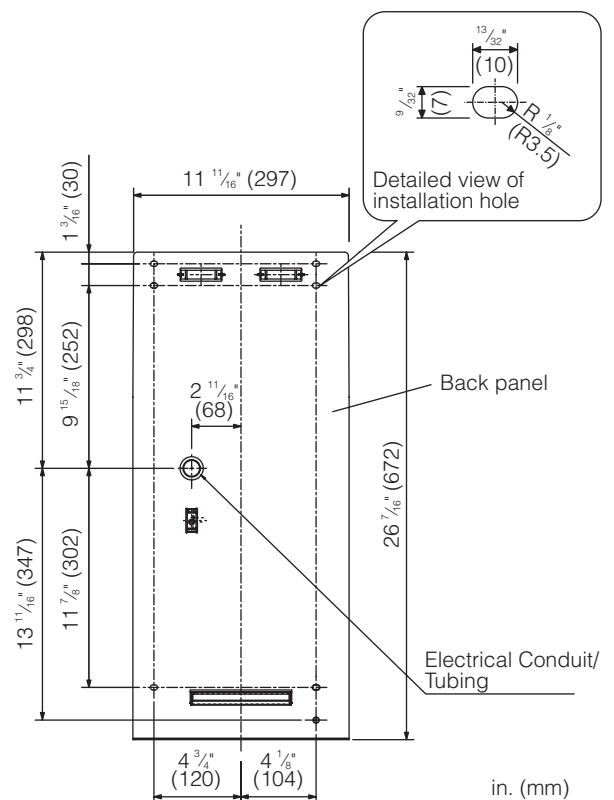
2. Position the back panel on wall so that the back electrical inlet can be connected to the pre-installed electrical conduit/tubing with the  $\frac{1}{2}$ " (16mm) connector.



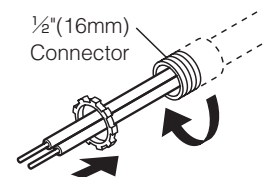
## Installation (Continued)

3

3. For plaster or drywall construction, position at least one side of the back panel holes over the wooden studs for better securement.
4. From the 7 possible hole locations on the back panel, mark the 7 drill hole positions on the wall and remove the back panel.
5. Drill the 7 holes and insert the 6 enclosed self tapping screws (excluding the hole in the lower right corner) through the back panel and into the wooden studs. To secure the opposite side of the back panel, use  $\frac{1}{4}$ " (M6) Toggle Bolts (not included) due to the heavy weight of the hand dryer. Do not use plastic anchors as they may be insufficient to support the weight.
6. For cement, brick or tile construction, use #12 - 14 Anchors (not included).

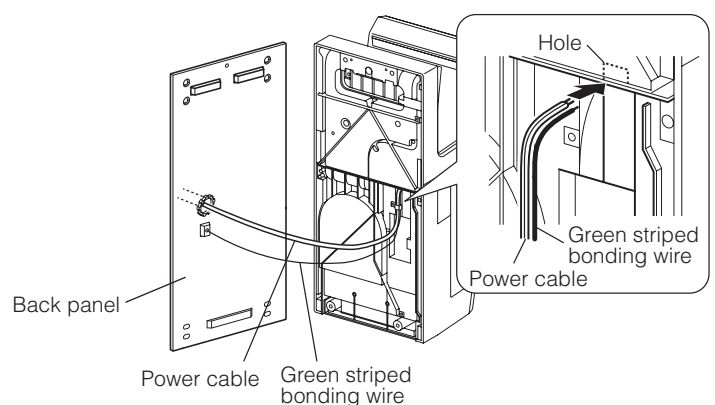


7. Securely tighten the  $\frac{1}{2}$ " (16mm) connector for grounding as shown in the drawing.



4

- Run the power cable through the hole in the back of the unit, and pull it through the unit.

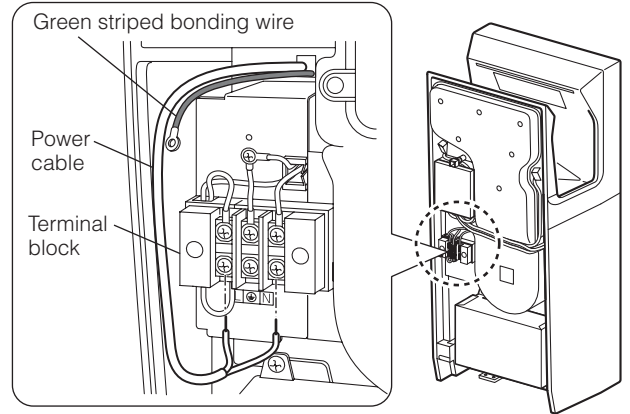
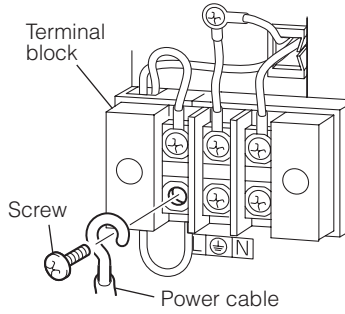




## Installation (Continued)

1. Screw the power cable to the terminal block.

- Proper torque is 11 lbf-in(1.2N·m)

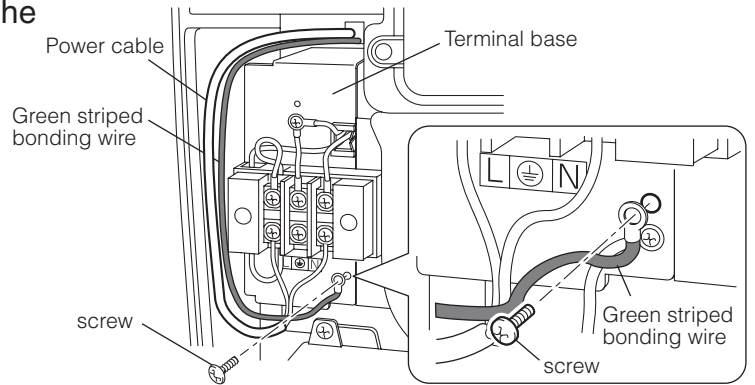


5

2. Check that the power cable is securely fixed to the terminal block.

3. Screw the green striped bonding wire to the terminal base.

- Proper torque is 11 lbf-in(1.2N·m)



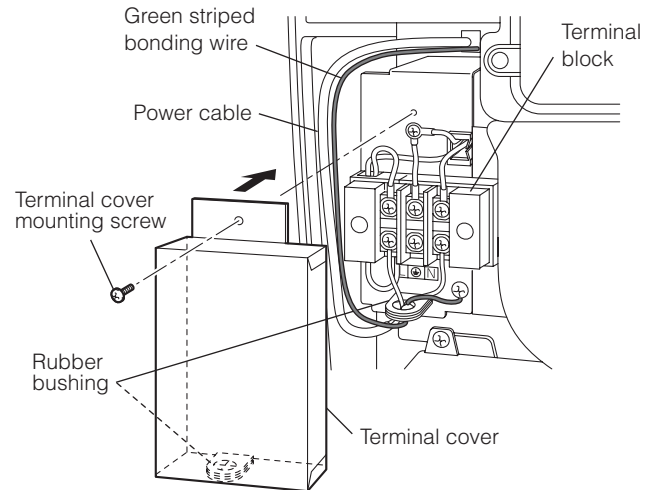
6

1. Run the power cable through the rubber bushing, and attach the rubber bushing to the terminal cover.

2. Attach the terminal cover to the main unit using the terminal cover mounting screw.

3. Move the power cable to the left side of the terminal cover.

4. Check that the power cable and wires are not pinched anywhere.

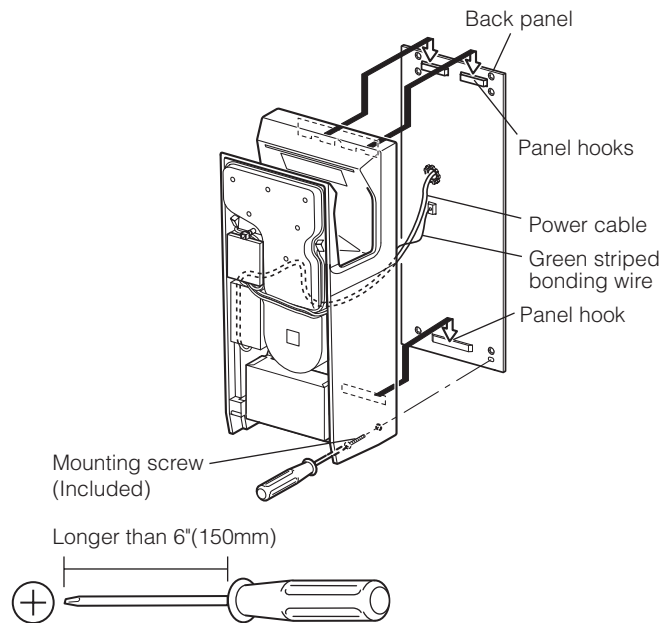


## Installation (Continued)

7

Fix the main unit in place.

1. Engage the panel hooks of the installation panel (2 hooks) on the back of the unit.
  - If the wall is concrete, use commercially available metal screw plugs.
  - Use a screwdriver that is longer than 6"(150mm).
2. Check that the power cable is not trapped behind the main unit.
  - Adjust the length of the power cable in the Electrical Conduit/Tubing so that the power cable does not become trapped.
3. Gently press the unit onto the wall, and fix it in place using the mounting screw (1).



8

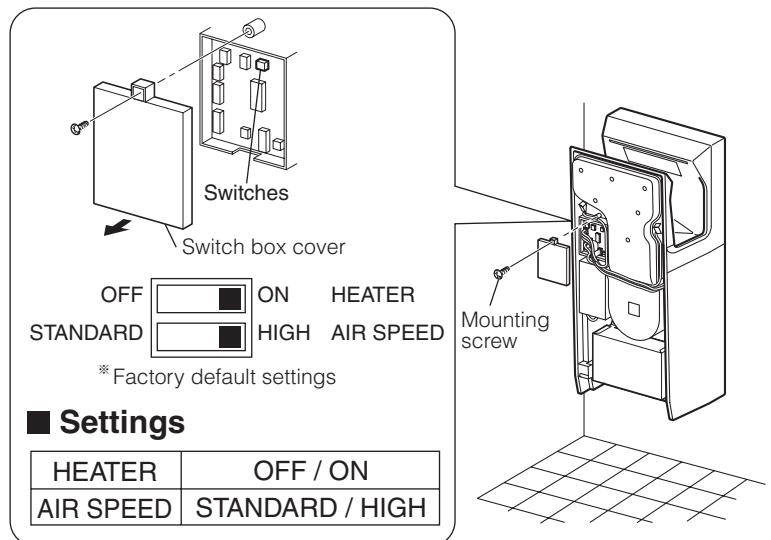
- Switching the air speed switch and heater switch settings  
Check the heater ON/OFF settings and air speed HIGH/STANDARD settings with the customer beforehand.  
(The user cannot adjust the settings after installation is complete.)



### Caution

- Do not install when the product (power cable) is electrified.  
Doing so may result in electric shocks.

1. Remove the mounting screw (1) from the switch box cover, and remove the switch box cover.
2. Change the settings.
3. After checking the switches, fix the switch box cover back in its original position.

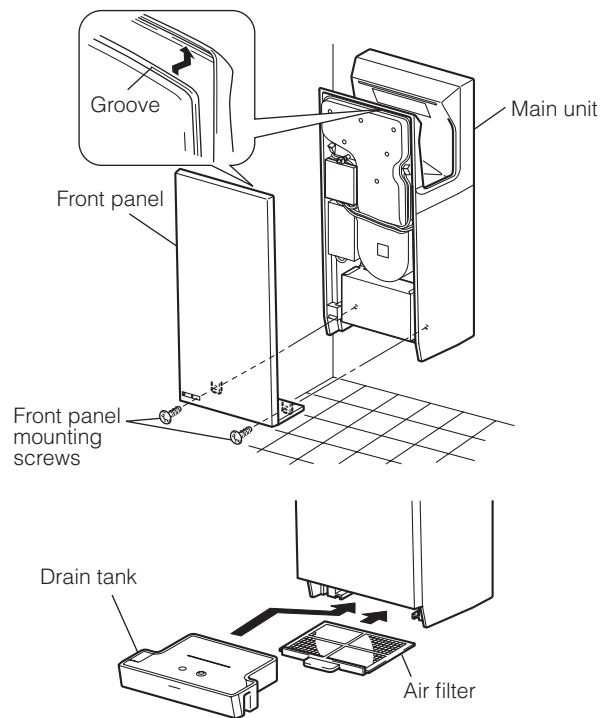


## Installation (Continued)

9

1. Engage the groove of the front panel on the unit.
2. Reattach the front panel with the front panel mounting screws (2).
3. Check that the front panel is fitted securely.

4. Attach the air filter.
5. Check that the air filter is inserted correctly, all the way to the back.
6. Attach the drain tank.



# Test Run

	Step	What to check for	Check
1	Check the power supply voltage	120 Vac power being used? Incorrect power supply may cause malfunctions.	
2	Turn the ground-fault circuit interrupter is "ON"		
3	Maintenance switch is "OFF"		
4	Insert your hands to check if air is being blown.	Is the air blowing?	
5	Insert your hands to check if warm air is being blown. (When the heater is "ON".)	Is warm air blowing? (If the room temperature is above 86°F(30°C), for safety reasons the heater will not operate even if the heater switch is turned on.) ※ As the heater is a simple heater, if the room temperature is less than 64°F(18°C), the air may feel cold. Is the heater lamp in the display on?	
6		Is the unit mounted securely without any vibration or abnormal noises?	

- ※ Do not turn the maintenance switch off while hands or other objects are inside the hand drying area.
- ※ If the display lamp flashes, turn the breaker off, check that all of the lamps on the display section are off, and then wait for 1 minute before turning the breaker back on.

**MITSUBISHI ELECTRIC CORPORATION**