



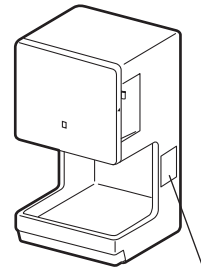
875HJ9901

Jet Towel Hand dryer

MODEL

JT-MC106G-W-NA

Unit color -W (White)



Location of Name plate indicating Model name and Electrical ratings

Input Power: 120 Vac Single-phase
Indoor use only

INSTALLATION MANUAL

For Dealers and Installers

Read the manual thoroughly before beginning installation to ensure the unit is installed safely and correctly. Installation shall comply with local requirements and Electrical Code and be performed by the dealer or a qualified professional in accordance to local jurisdiction.

The "INSTRUCTION MANUAL" is for the customer. Be sure to hand it to the customer.

INDEX

- Safety Precautions 2
- Pre-installation checks 3
 - Checking the installation environment 3
 - Checking the unit, accessories and items required for installation 3
- Names of parts and external dimensions 4
- Installation conditions 5
 - Required space for installation 5
 - Suitable walls 5
 - Making the unit easier to use 5
- Installation method 6 – 11
- Test Run 12
- Initial setting checks 13
 - How to open/close the front cover 13
 - Precautions for when opening/closing the front cover 13
 - Turning the heater on 14
 - Turning the sensor off before maintenance 15

English

Français

Safety Precautions

● The dangers arising from improper handling and the extents of the dangers are classified and explained as shown below.



Warning

The following may lead to death or serious personal injury if handled incorrectly.



Prohibited

- **Do not install in locations where they may be leakages of combustible gas.**
This may cause fires.
- **Do not install in locations where salt damage may occur or where corrosive, neutral or reductive gases are present.**
This may cause malfunctions.
- **Do not scratch, damage, process, excessively bend, pull, twist or bundle the power cable.**
Please also refrain from placing heavy objects onto it or trapping it.
Failure to do so may damage the power cable, causing fires or electric shocks.



Important !
Follow instructions.

- **Wiring work shall be done by a licensed electrician in accordance with electrical and building codes.**
Incorrect wiring work may cause electric shocks or fires.
- **Use single-phase 120 Vac power.**
Using the incorrect power supply may cause fires, electric shocks or malfunctions.
- **Use delicated wiring for the power source.**
Using this unit with other devices on the same branch circuit may cause abnormal heat, which may cause fires.
- **The unit shall be installed in accordance with appropriate wiring regulations in accordance to local jurisdiction.**
- **A means for disconnection must be incorporated in the fixed wiring in accordance with wiring rules.**
- **The disconnecting device shall be of all-pole disconnection.**
- **This hand dryer must have its own delicated branch circuit using AWG #12 or #14 copper wire.**



Do not disassemble

- **Do not attempt any disassembly or modification of the unit that is not expressly stated in this manual.**
Doing so may result in fires, electric shocks or injuries.



Do not use in the baths/shower room.

- **Do not use in a hot location such as a shower room, where condensation may form on the unit or where water may splash directly onto the unit.**
This may cause electric shocks or malfunctions.



Caution

The following may lead to injuries or damage to property if the unit is handled incorrectly.



Prohibited

- **Do not install when the unit (power cable) is energized.**
Doing so may result in electric shocks.



Important !
Follow instructions.

- **Install securely in a location strong enough to support the weight of the unit.**
Injuries may be caused if the unit falls off the wall.
- **Wear gloves when installing the unit.**
Not doing so may result in injuries.

Pre-installation checks



Warning

- **Input Power: 120 Vac Single-phase** is used.

Using the incorrect power supply may cause fires, electric shocks or malfunctions.

■ Checking the installation environment

Do not install the unit in the following types of locations.

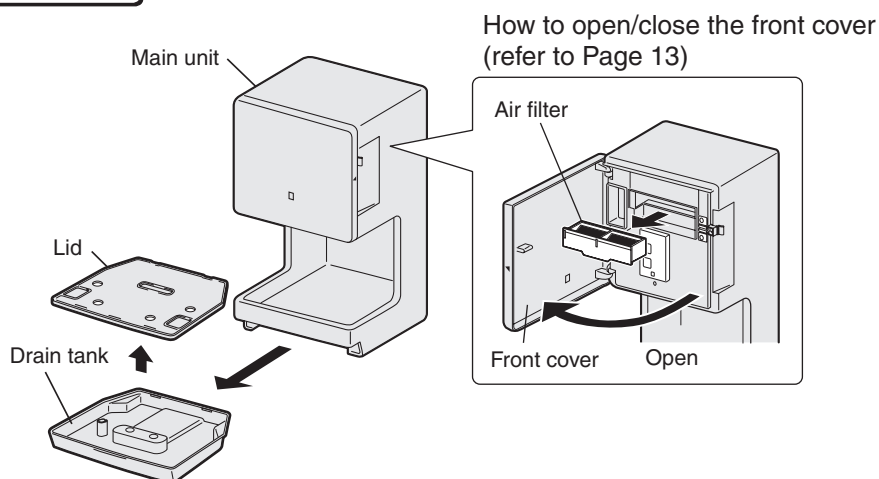
(This may cause malfunctions.)

- **Outdoors**
- **Locations where the temperature could be lower than 32°F (0°C).**
- **Locations where there is a lot of dust.**
- **Locations where the temperature could be higher than 104°F (40°C).**
- **Locations where there is a lot of condensation.**
- **Locations where salt damage may occur.**
- **Locations where the unit is in direct or strong sunlight** (may cause the sensor to malfunction).
- **In vehicles** (including ships and airplanes)
- **Locations where corrosive, neutral or reductive gasses are present.**
(This may shorten the working life of the unit and/or cause malfunctions.)
- **Near food or tableware**
- **Locations where the unit may come into direct contact with water.**
- **Kitchens**
(Where there is a risk of water splashing.)
- **Rooms that have a sterilization basin, swimming pools and baths.**

■ Checking the unit, accessories and items required for installation

Unit

※ Shaded areas in the figure indicate antibacterial material (excluding outlet nozzle areas).

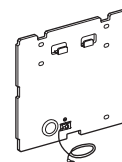


Accessories

Mounting screws 7
(5 × 30 Type 1 tapping screws)



Installation panel 1



Cord clip mounting screw
(4 × 14) 1

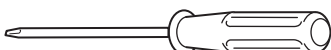


Cord clip 1



Recommended tools and hardware to be used for installation

Screwdriver ⊕



Pen

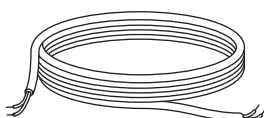


※ To mark position to insert metal screw plugs in the wall.

■ Prepare if required

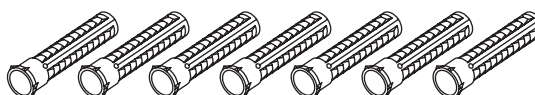
Single wire for internal wiring

(Cable core: between 2.0mm² and 3.0mm²)



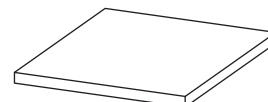
※ Not needed if the internal wiring is complete.

Screw anchor 7



※ Use on concrete walls

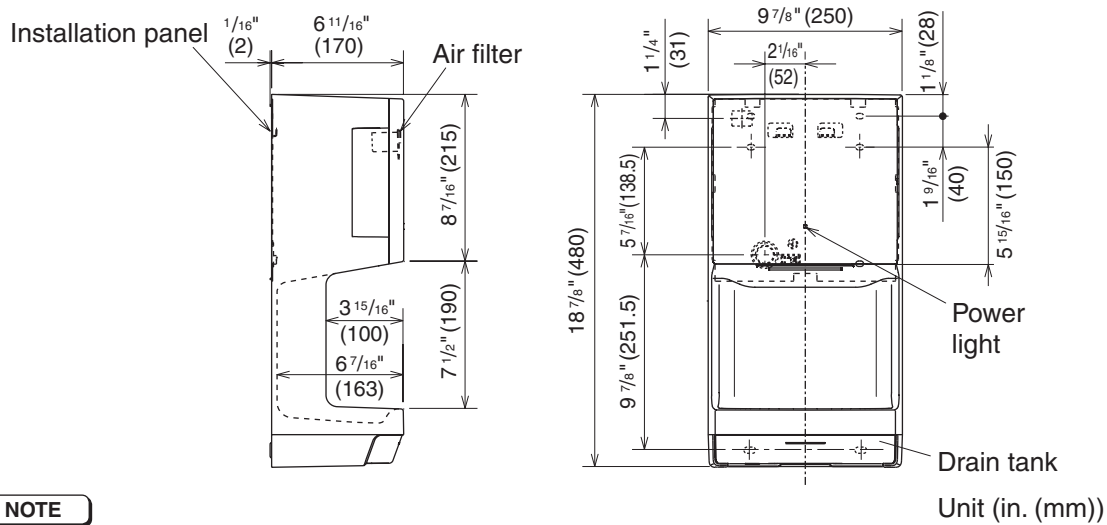
Wall reinforcement



※ Reinforces walls made of materials other than concrete.

Names of parts and external dimensions

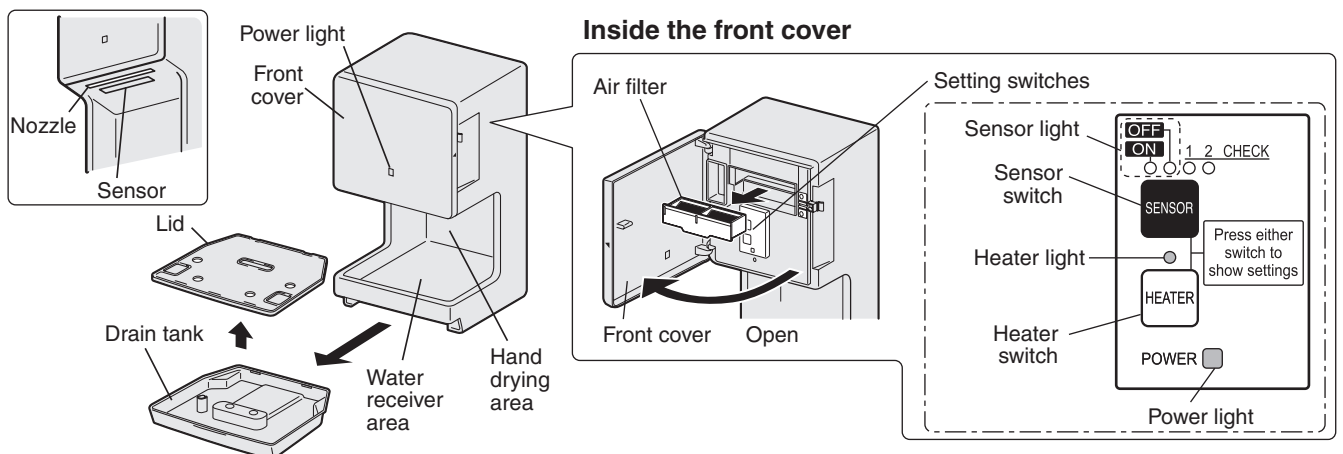
■ Main unit



NOTE

- Confirm the details in the "Installation conditions" (Page 5).

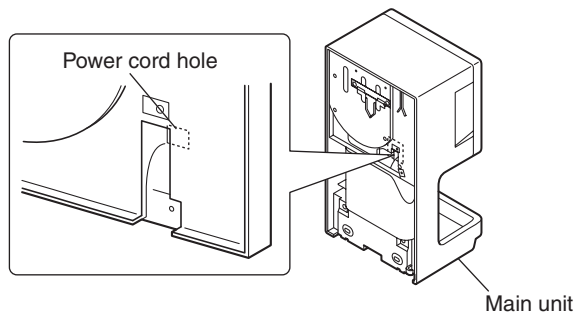
■ Front



NOTE

- Open the front cover while referring to "How to open/close the front cover" (Page 13).
- Please refer to "Turning the heater on" (Page 14) while turning the heater on/off.
- Please refer to "Turning the sensor off before maintenance" (Page 15) while turning the sensor on/off.

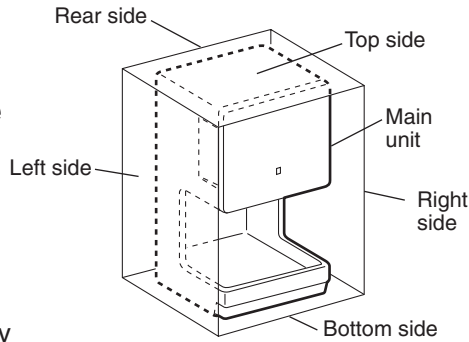
■ Rear



Installation conditions

Required space for installation

Caution Be sure to secure at least the distances listed in the right-hand table from walls, flammable (combustible) materials and so on.



Location	Isolation distance
Above	5 15/16" (150)
Left	3 15/16" (100)
Right	5 15/16" (150)
Front	Open
Below	2" (50)

Suitable walls

- When installing on a wall, select a wall with a flat and even surface.
- When installing on a concrete wall, use commercially available metal screw plugs.
- Reinforce any walls made with materials other than concrete before installation.

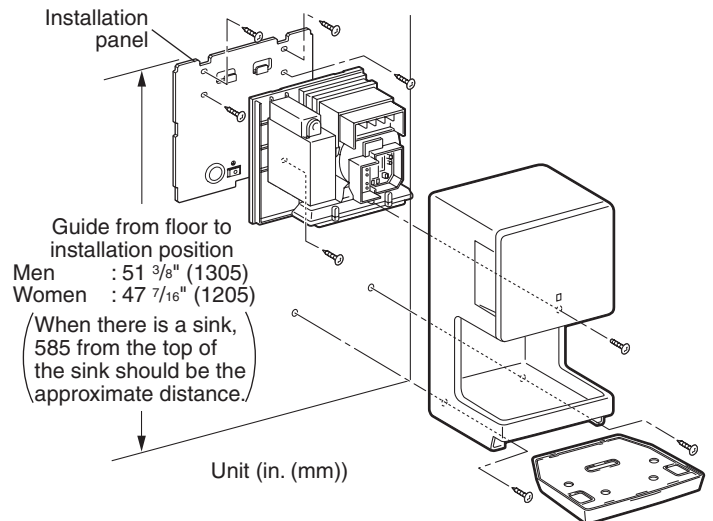
Making the unit easier to use

- Refer to the "Installation position guide" and "Installation diagram" while installing the unit in order to make it easier to use.

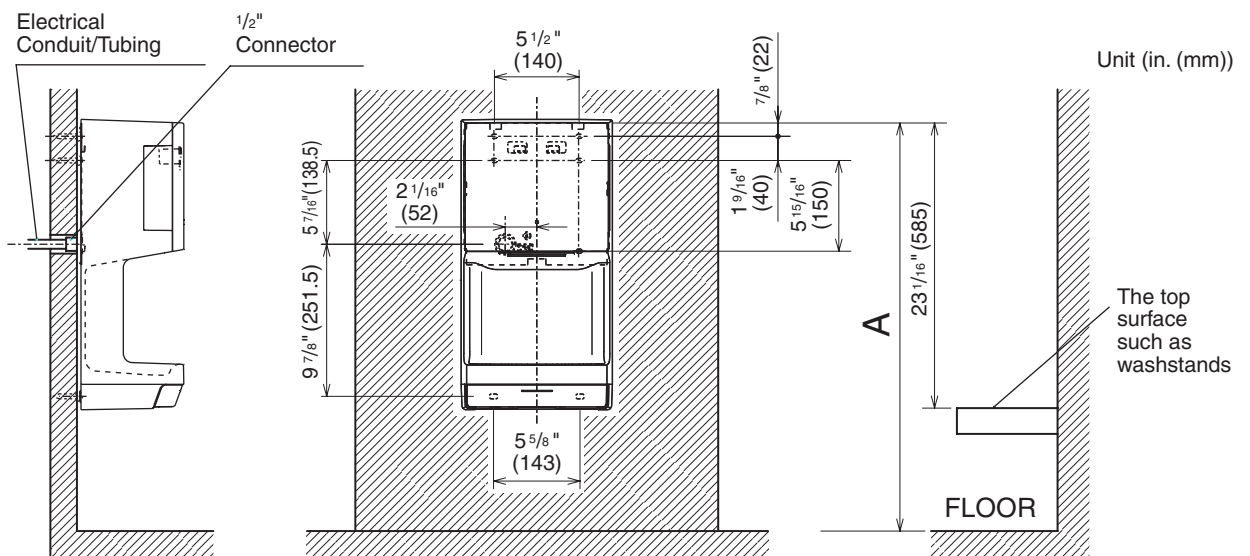
If it is installed at a low position, it may become wet when the sink is being washed. If water enters the unit, it may cause damage or cause the acoustic materials to absorb water and allow bacteria to grow.

- Do not install the main unit in locations such as those near mirrors or walls. This may lead to water drops flying to undesirable areas during the drying of the hands.
- Do not install the main unit in locations such as those near food or eating utensils. This may lead to water drops flying to undesirable areas during the drying of the hands.
- Avoid locations where people or doors might bump into the unit.

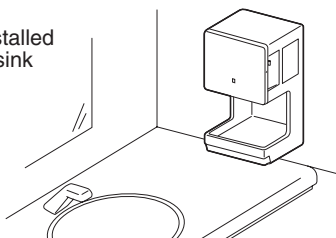
Installation position guide



Installation diagram



※ When installed above a sink



Recommended A measurements during installation

Space below the unit	Unit (in. (mm))	
	A	
When there are no objects below	Men	51 3/8" (1305)
	Women	47 7/16" (1205)
When there is an object such as a sink	23 1/16" (585)	

Installation method

For confirmation

- Input Power: 120 Vac Single-phase** power is being used (using the incorrect power supply may cause fires, electric shocks or malfunctions).
- The ground fault circuit interrupter is attached (not attaching a ground fault circuit interrupter may result in electric shocks).
- A single wire (cable core: 2.0mm² or 3.0mm²) is being used for the power cable.

Warning

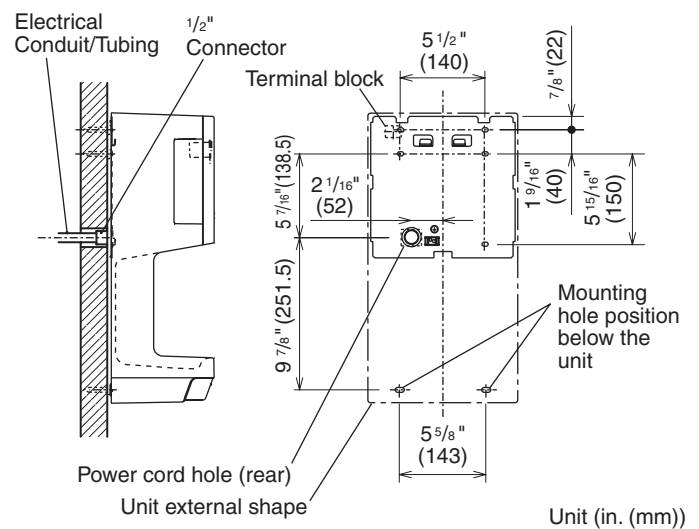
- This hand dryer must have its own independent branch circuit using AWG #12 or #14 copper wire.
- Use 120 Vac power.
Using the incorrect power supply may cause fires, fumes, electric shocks or malfunctions.

Caution

- Do not install when the unit (power cable) is electrified.
Doing so may result in electric shocks.

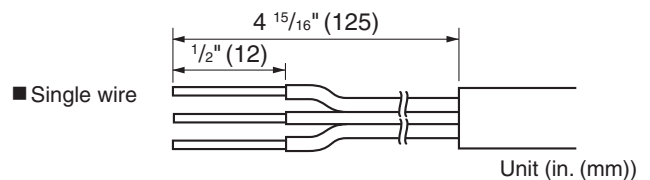
1. Confirm that the severing of wires during fixed wiring work is in accordance with wiring regulations.

- Follow the illustration on the right for the internal wiring.
- The power cable forces out the main unit and does not allow proper installation if the conduit box is not used.

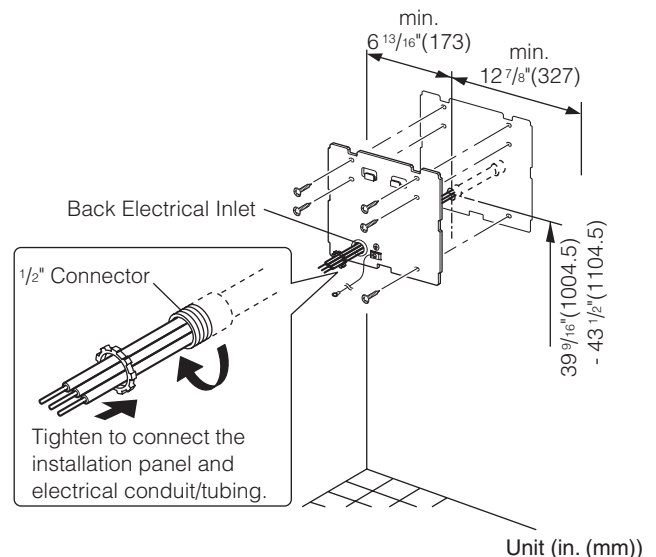


Wire it to the terminal block. (No polarity)

2. Remove 9/16" (15mm) of wire sheath from the end.



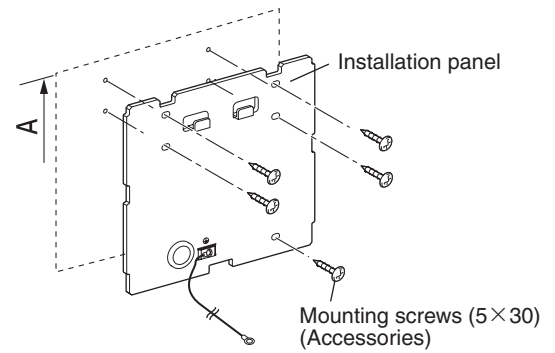
3. Position the installation panel on wall so that the back electrical inlet can be connected to the pre-installed electrical conduit/tubing with the 1/2" (16mm) connector.



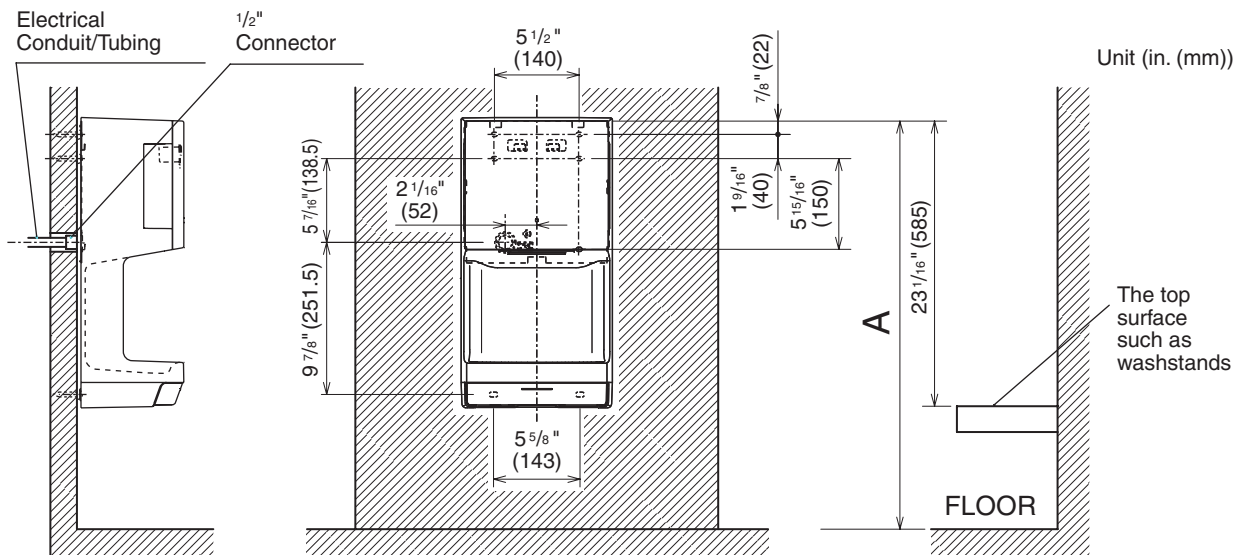
Installation method - continuation

Fix the installation panel onto the wall with 5 accessory mounting screws (5 × 30).

- The "Installation position guide" illustrated on the right is recommended.
- When installing on a wall, select a wall with a flat and even surface.
- When installing on a concrete wall, use commercially available metal screw plugs.
- Reinforce any walls made with materials other than concrete before installation.
- ※ When installing above a sink, the recommended B measurement is 23 1/16" (585mm) above the sink.



Installation position guide



Recommended A measurements during installation

		Unit (in. (mm))
Space below the unit	A	
When there are no objects below	Men	51 3/8" (1305)
	Women	47 7/16" (1205)
When there is an object such as a sink		23 1/16" (585)

2

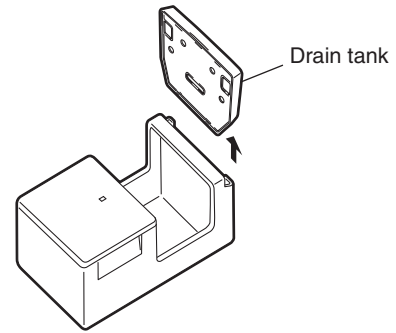
English

Installation method - continuation

English

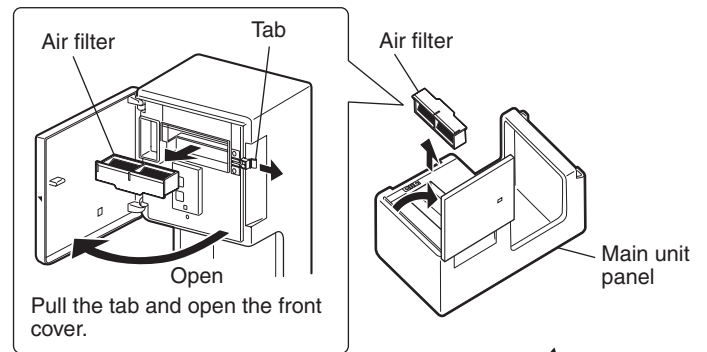
3

1. Remove the drain tank.



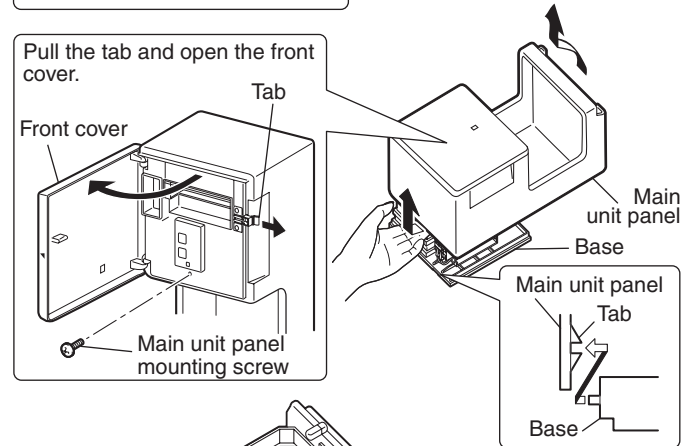
2. Open the front cover and remove the air filter.

※ Refer to "How to open/close the front cover" (Page 13).



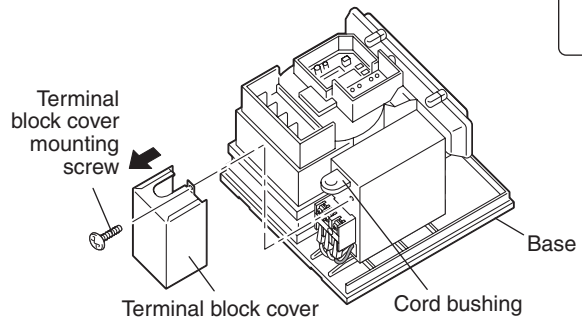
3. Remove the main unit panel mounting screw (1).

4. Unlock the upper tabs (2 locations) of the main unit panel, and remove the main unit panel from the base.



5. Remove the terminal block cover mounting screw (1), and remove the terminal block cover.

※ Be careful not to lose the cord bushing.

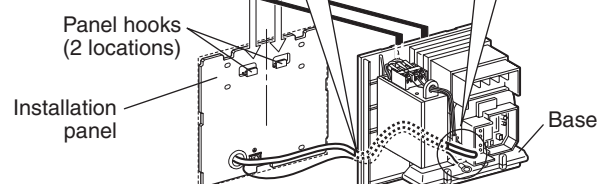
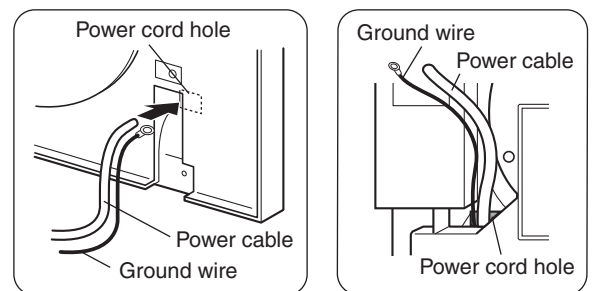


4

1. Push the power cable for exclusive wiring through the power cord hole at the rear of the base.

2. Engage the base with the 2 hooks on the installation panel.

3. Check that the power cable is not trapped behind the base.



Installation method - continuation

Warning

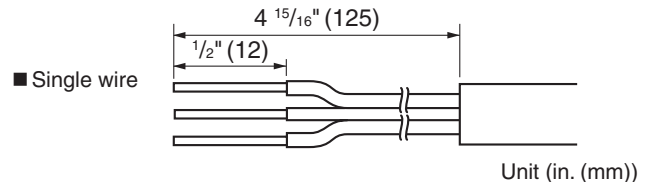
- **Input Power: 120 Vac Single-phase** is used.
Using the incorrect power supply may cause fires, electric shocks or malfunctions.

Caution

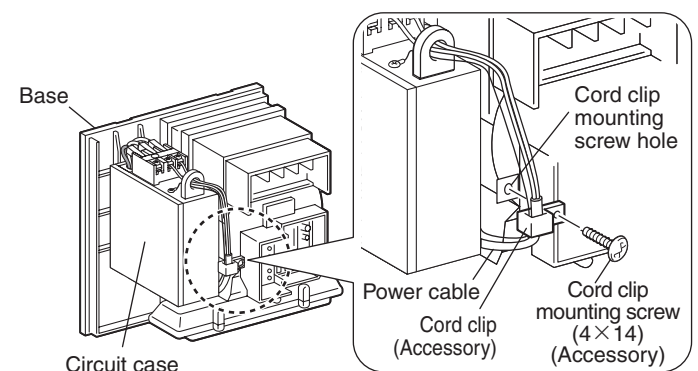
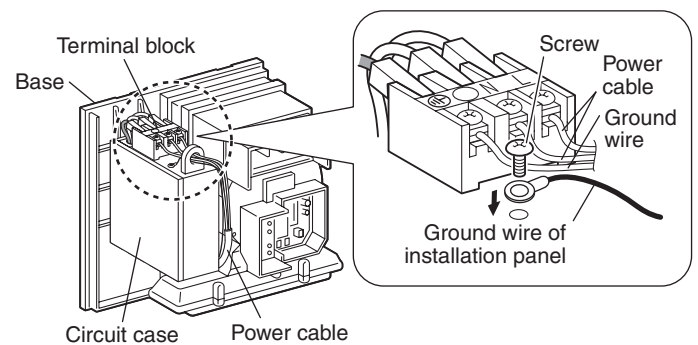
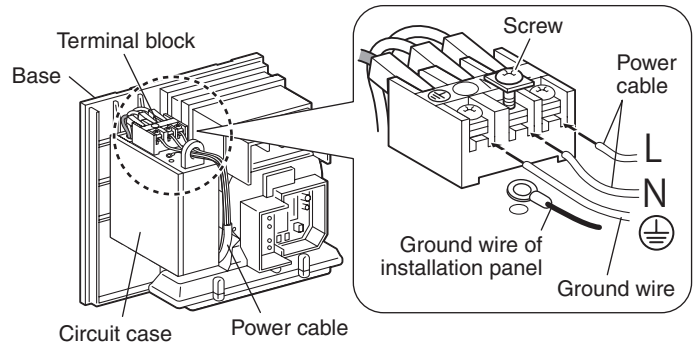
- Make sure that the main unit does not fall as the base is not attached to the wall with screws. Injuries may be caused if the unit falls off the wall.

Wire the power cable to the terminal block. (No polarity)

1. Remove 1/2" (12mm) (single wire).
2. Fix the power cable to the terminal block.
 - When stranded wire is used for the power cable, attach an insulated ring tongue terminal using an appropriate tool.
 - Proper torque is 1.5N·m
3. Check that the power cable is securely fixed to the terminal block.
4. Fix the ground wire to the terminal block.
 - Proper torque is 1.5N·m



5. Check that the ground wire is securely fixed to the terminal block.
6. Use the cord clip mounting screw hole to fix the power cable with the accessory cord clip and mounting screw (4 × 14).
 - Proper torque is 1.5N·m
 - Fix it where the external wire sheath of the power cable is when it is fixed in the cord clip mounting position.
 - Do the wiring so that the power cable goes through the right side of the circuit case. The main unit panel may not be able to be attached if it is above the circuit case.



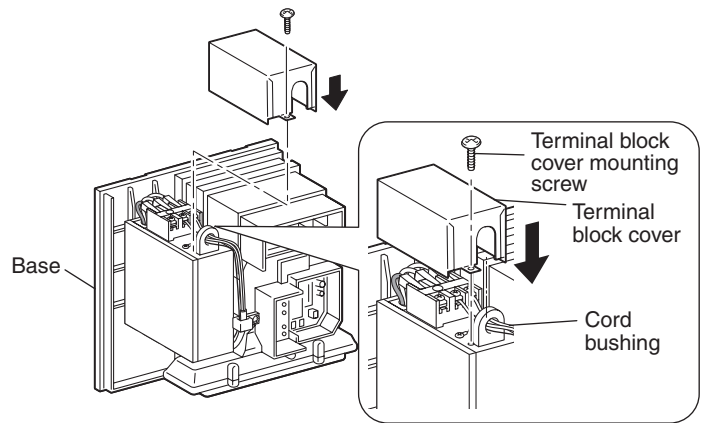
5

English

Installation method - continuation

6

1. Place the power cable through the cord bushing and reattach it to the circuit case with the terminal block cover mounting screw.
2. Check that the power cable and wires are not pinched anywhere.



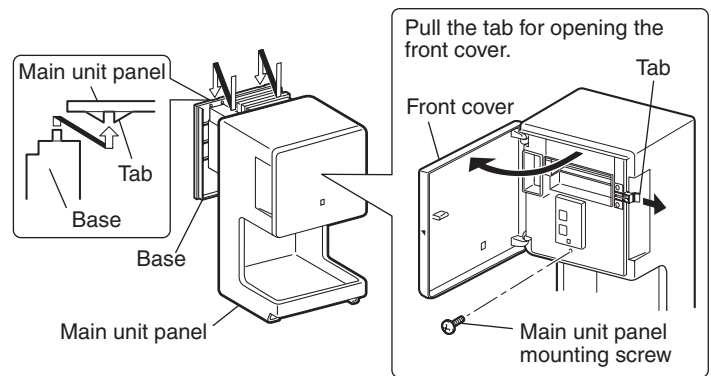
7

1. Insert the "Motor lead wire" into the gap of ribs on the Base.

Caution

- Check to see that the "Motor lead wire" is fitted to the gap of ribs.

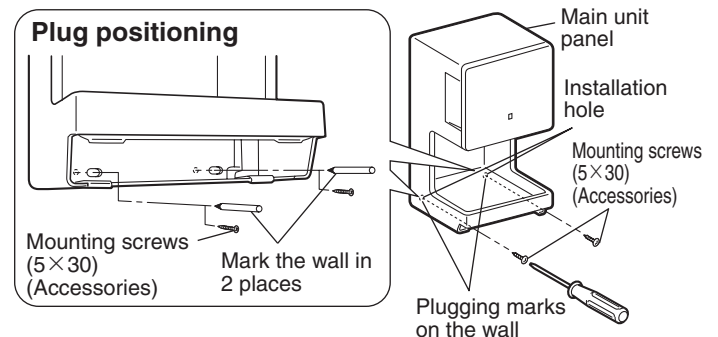
2. Insert the tabs (2 locations) of the main unit panel into the locks of the base hooks and fix it with screw (1).
 - The screw is inside the front cover.



3. Check that the 2 hooks on the main unit panel are hooked in the base.

4. Gently press the unit against the wall, and fix it in place using 2 accessory mounting screws (5 × 30).

- When installing on a concrete wall, use commercially available metal screw plugs with the procedures below before fixing the front cover onto the base.
 - ① Temporarily place the main panel on the base.
 - ② Mark the position of the hole in the wall through the mounting screw hole with a pen.
 - ③ Remove the main unit panel and insert commercially available metal screw plugs into the marked locations of the wall.
- Reinforce any walls made with materials other than concrete before installation.

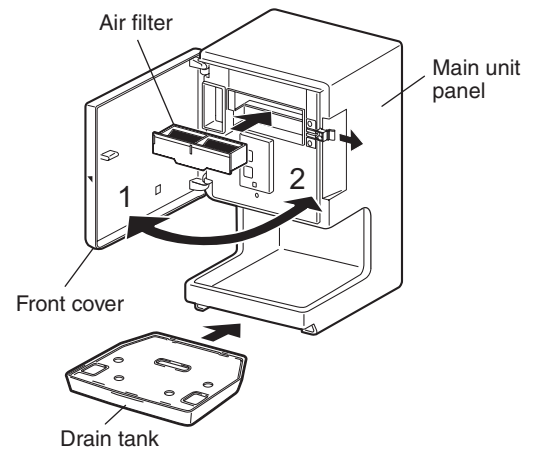
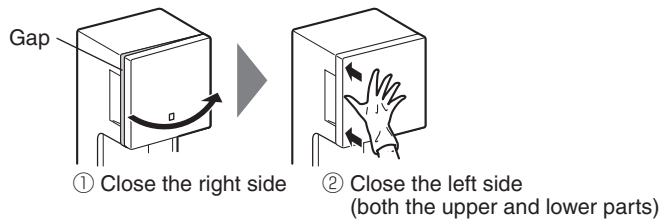


Installation method - continuation

8

1. Open the front cover and attach the air filter.
2. Close the front cover and push the tab into latch the front cover shut.
3. Check that the front cover is securely closed.

Caution ● Check to see that the front cover is fitted securely.
Press against the front cover so that it is firmly closed against the main panel.
※ Refer to "How to open/close the front cover" (Page 13).



English

4. Attach the drain tank.

Test Run

English

	Step	What to check for	Check
1	Check the power supply voltage	Is the proper power being used? (JT-MC106G-W-NA type: Input Power: 120 Vac Single-phase) Incorrect power supply may cause malfunctions or low wind power.	
2	Turn the ground fault circuit interrupter on.		
3	Turn the sensor switch is "ON". (page 4)	Are any lights in the display on?	
4	Insert your hands to check if air is being blow. (page 4)	Is the air blowing?	
5	Turn the heater switch "ON". (page 14)	Is warm air blowing? (Even if the heater switch is "ON", the heater may not operate if it is used continually.) ※ As the heater is a simple heater, the air may not feel so warm if the room temperature is low (68°F (20°C) or below).	
6		Is the unit mounted securely without any vibration or abnormal noises?	

- The maintenance light and heater light turn off after about 10 seconds. When the sensor switch or heater switch are pressed again, the lights in the display section turn back on in the state where the settings have been made.

Caution

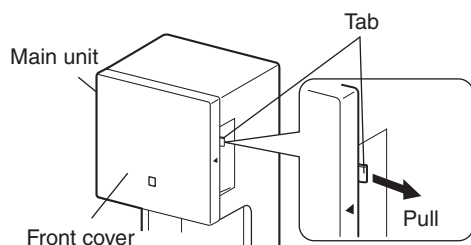
- If the power light flashes, turn the breaker "OFF", check that power light is off, and then wait for 1 minute before switching the breaker back "ON".

Initial setting checks

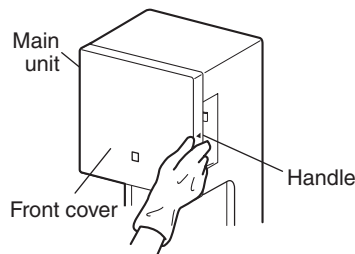
How to open/close the front cover

How to open the front cover

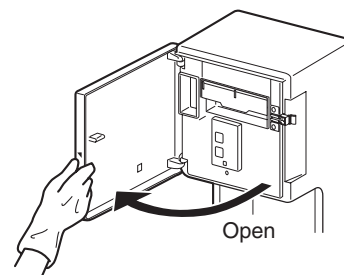
1 Pull the tab for opening the front cover.



2 Hold the handle are on the right hand side of the main unit.



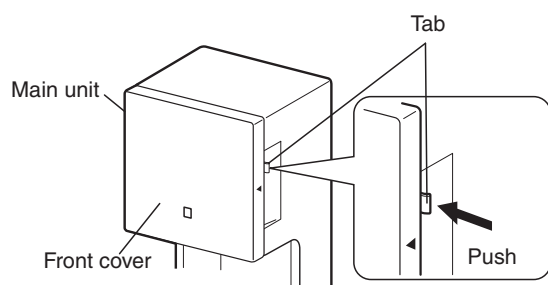
3 Open.



How to close the front cover

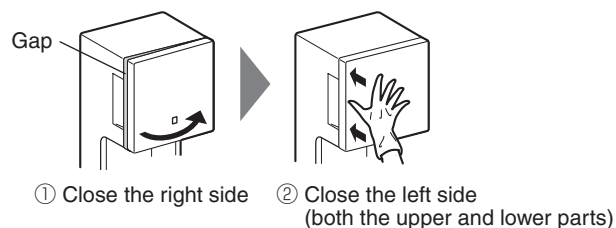
Close the front cover with the procedures for opening it in reverse.

Close the front cover so that there is no gap between the front cover and the main unit and push the tab in to latch the front cover shut.



Caution

- Check to see that the front cover is fitted securely. Press the front cover on the upper and lower parts against the main unit so that it is securely closed.

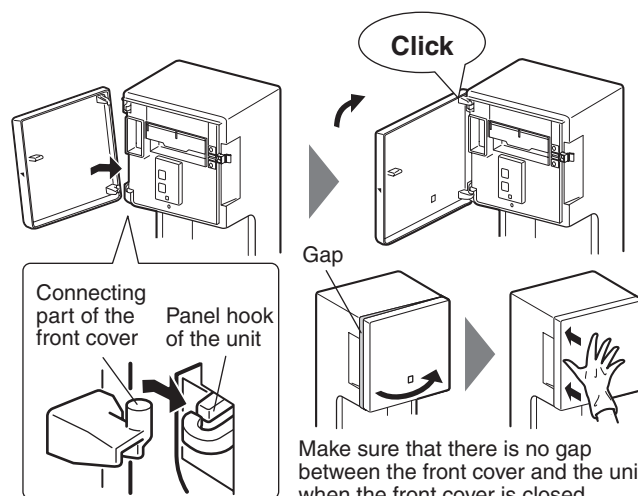


Precautions for when opening/closing the front cover

If the front cover comes off, please reattach it with the following procedures.

※ It is designed to come off in order to prevent damage if it is opened too wide.

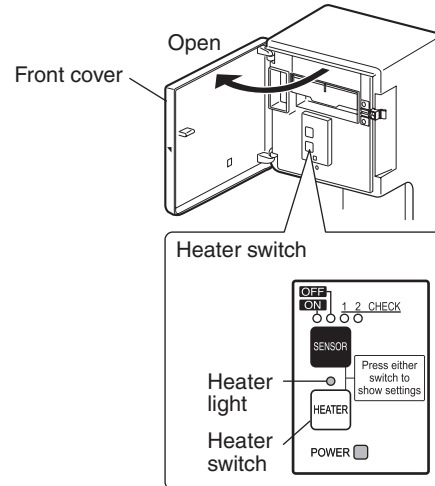
- 1** Press the bottom connecting part of the removed front cover into the bottom panel hook of the unit.
- 2** Press the top connecting part of the front cover into the top panel hook of the unit.
- 3** Check that the front cover is fitted securely.



Initial setting checks - Continuation

Turning the heater on

- 1 Open the front cover.
- 2 Press the heater switch or the maintenance switch and let the settings light turn on.
- 3 Turn the heater switch "ON".



※ The heater may not operate during continued use as there is the danger of scalding when the temperature of the warm air rises.
The air may not feel warm when the room temperature is low (68°F (20°C) or below).

Checking the settings

The heater light and maintenance light turn off after about 10 seconds after their settings are made (to save energy). To check the settings, press either the heater or maintenance switch.

Settings and drying times guide

Drying times guide ※	Noise
(approx.) 13 seconds	(approx.) 64dB

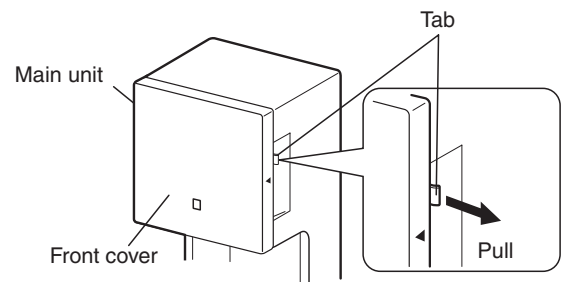
※ Drying times are based on Mitsubishi measurements. (50mg of water per hand)

English

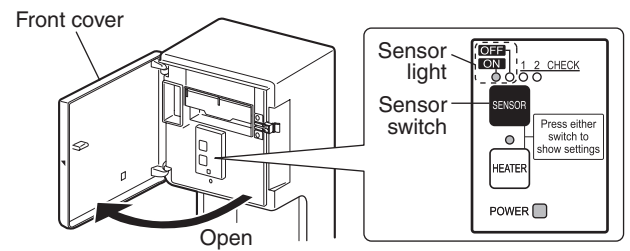
Initial setting checks - Continuation

■ Turning the sensor off before maintenance

1 Pull the tab and open the front cover.



2 Open the front cover.



3 Press the sensor switch and let the setting light turn on.

4 Turn the sensor switch "ON".

MITSUBISHI ELECTRIC CORPORATION

Tokyo Building 2-7-3, Marunouchi, Chiyoda-ku, Tokyo 100-8310, Japan

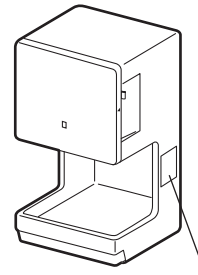


Jet Towel Séchoir à mains

MODÈLE

JT-MC106G-W-NA

Couleur de l'appareil -W (blanc)



Emplacement de la plaque signalétique indiquant le nom du modèle et les caractéristiques électriques

Puissance d'entrée : 120 VCA à phase unique
Pour utilisation à l'intérieur seulement

MANUEL D'INSTALLATION

Pour les revendeurs et les installateurs

Veillez lire entièrement ce manuel avant de commencer l'installation afin de vous assurer que l'appareil sera installé correctement et en toute sécurité.

L'installation doit respecter les exigences locales et le code électrique, en plus d'être réalisée par le revendeur ou un professionnel certifié selon les lois locales.

Le « MODE D'EMPLOI » est destiné à l'utilisateur. Veuillez le donner au client.

TABLE DES MATIÈRES

Mesures de sécurité	2
Vérifications avant l'installation	3
■ Vérifier l'environnement d'installation	3
■ Vérifier l'appareil, les accessoires et les articles requis pour l'installation	3
Nom des pièces et dimensions externes	4
Conditions d'installation	5
■ Espace d'installation requis	5
■ Murs appropriés pour l'installation	5
■ Faciliter l'utilisation de l'appareil	5
Méthode d'installation	6 – 11
Essai de fonctionnement	12
Vérifications initiales de la configuration	13
■ Comment ouvrir / fermer le couvercle avant	13
Précautions à prendre lors de l'ouverture / fermeture du couvercle avant	13
■ Mettre en marche le chauffe air	14
■ Désactivation du capteur avant tout entretien	15

Mesures de sécurité

- Les dangers provenant d'une mauvaise manipulation et la portée des dangers sont classifiés et expliqués comme montrés ci-dessous.



Avertissement

Ce qui suit pourrait causer des blessures graves, voire mortelles, si l'appareil est manipulé de manière inadéquate.



Interdit

- **N'installez pas l'appareil à des endroits où il pourrait y avoir des fuites de gaz combustibles.**

Cela peut provoquer un incendie.

- **N'installez pas l'appareil à des endroits où le sel pourrait l'endommager, ou en présence de gaz corrosifs, neutres et réducteurs.**

Cela pourrait entraîner des anomalies de fonctionnement.

- **Ne pas rayer, endommager, traiter, plier excessivement, tirer, tordre ou enrouler le câble d'alimentation.**

Veillez aussi vous abstenir de placer des objets lourds sur celui-ci ou bien de le coincer / piéger.

Cela pourrait endommager le câble d'alimentation, entraîner des incendies ou des décharges électriques.



Important!
Suivez les instructions.

- **Les travaux de câblage doivent être réalisés par un électricien certifié selon les codes électriques et du bâtiment.**

Un câblage incorrect pourrait entraîner des décharges électriques ou des incendies.

- **Utilisez une alimentation électrique de 120 VCA à phase unique.**

L'utilisation d'une alimentation électrique non appropriée peut provoquer des incendies, des décharges électriques ou des anomalies de fonctionnement.

- **Utilisez un câblage exclusif pour la source d'alimentation.**

L'utilisation de cet appareil avec d'autres appareils sur un même circuit de dérivation pourrait générer une chaleur anormale, qui pourrait entraîner des incendies.

- **L'appareil doit être installé selon les règlements appropriés sur le câblage, et ce, selon les lois locales.**

- **Un dispositif de débranchement doit être incorporé dans le câblage utilisé conformément aux règles de câblage.**

- **L'appareil de débranchement doit être d'un débranchement omnipolaire.**

- **Ce séchoir à mains doit avoir son propre circuit de dérivation indépendant muni d'un fil en cuivre de calibre 12 AWG ou 14 AWG.**



Ne pas démonter

- **N'essayez pas de démonter ou de modifier l'appareil, sauf si cela est expressément indiqué dans ce manuel.**

Faire cela pourrait entraîner des incendies, des décharges électriques ou des blessures.



Ne pas utiliser l'appareil dans une salle de bain / une douche.

- **N'utilisez pas l'appareil dans un endroit chaud comme une salle de douches, où de la condensation pourrait se former sur l'appareil, ou où il pourrait être éclaboussé par de l'eau.**

Cela pourrait entraîner des décharges électriques ou des défaillances de l'appareil.



Attention

Ce qui suit pourrait causer des blessures légères ou des dommages matériels si l'appareil est manipulé de manière inadéquate.



Interdit

- **N'effectuez pas l'installation lorsque l'appareil (le câble d'alimentation) est sous tension.**

Vous pourriez recevoir des décharges électriques.



Important!
Suivez les instructions.

- **Installez de manière sécuritaire l'appareil à un endroit suffisamment résistant pour supporter son poids.**
La chute de l'appareil peut provoquer des blessures.

- **Portez des gants lors de l'installation de l'appareil.**

À défaut d'observer cette mesure de sécurité, vous risquez de vous blesser.

Vérifications avant l'installation



Avertissement

● **Puissance d'entrée : 120 VCA à phase unique** utilisés.

L'utilisation d'une alimentation électrique non appropriée peut provoquer des incendies, des décharges électriques ou des anomalies de fonctionnement.

■ Vérifier l'environnement d'installation

N'installez pas l'appareil dans les emplacements suivants.

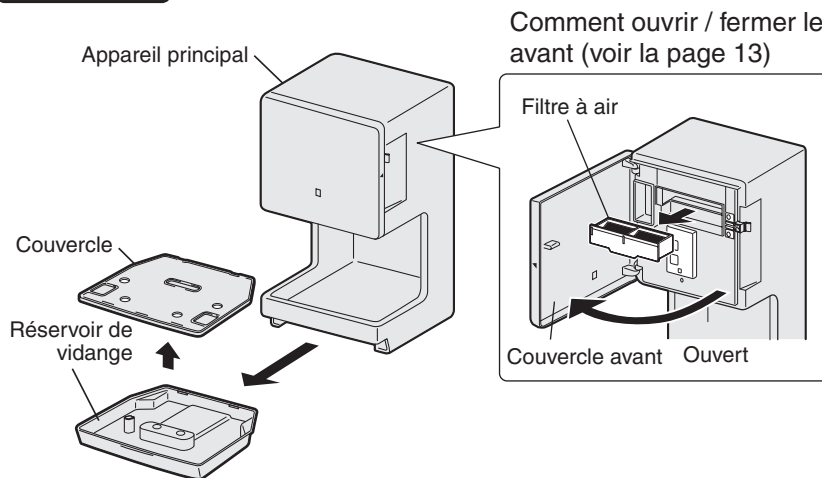
(Cela pourrait entraîner un mauvais fonctionnement de l'appareil.)

- **Extérieur** ● Les endroits où la température pourrait être plus basse que 32 °F (0 °C).
- **Endroits très poussiéreux.** ● Les endroits où la température pourrait être plus élevée que 104 °F (40 °C).
- **Les endroits soumis à une forte condensation.** ● Les endroits où des dommages causés par du sel pourraient survenir.
- **Endroits où l'appareil subit une exposition directe ou forte aux rayons du soleil** (peut provoquer un mauvais fonctionnement du capteur).
- **Dans les véhicules** (incluant les bateaux et les avions)
- **Des endroits où sont présents des gaz corrosifs, neutres ou réducteurs.**
(Cela pourrait réduire la durée de fonctionnement de l'appareil et / ou causer de mauvais fonctionnements.)
- **Près de la nourriture ou d'articles de table** ● **Endroits où l'appareil pourrait entrer en contact direct avec de l'eau.**
- **Cuisines**
(Où un risque d'éclaboussure existe.)
- **Les pièces où se trouvent un bassin de stérilisation, des piscines ou des bains.**

■ Vérifier l'appareil, les accessoires et les articles requis pour l'installation

Appareil

※ Les parties grisées de l'illustration indiquent un matériau antibactérien (sauf les zones de l'ajutage de sortie).

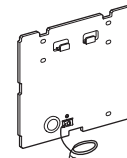


Accessoires

Vis de montage 7
(5 × 30 vis taraudeuses de type 1)



Panneau d'installation 1



Vis de montage de la pince de cordon
(4 × 14) 1

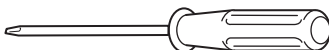


Pince du cordon 1



Outils et quincaillerie recommandés pour l'installation

Tournevis



Stylo

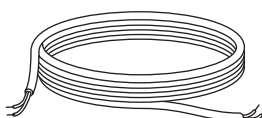


※ Pour marquer la position d'insertion des bouchons à vis métalliques dans le mur.

■ À préparer si nécessaire

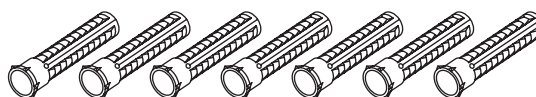
Fil simple pour le câblage interne

(Cœur du câble : entre 2,0mm² et 3,0mm²)



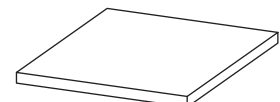
※ Non nécessaire si le câblage interne a déjà été fait.

Tampon à vis 7



※ À utiliser avec des murs en béton

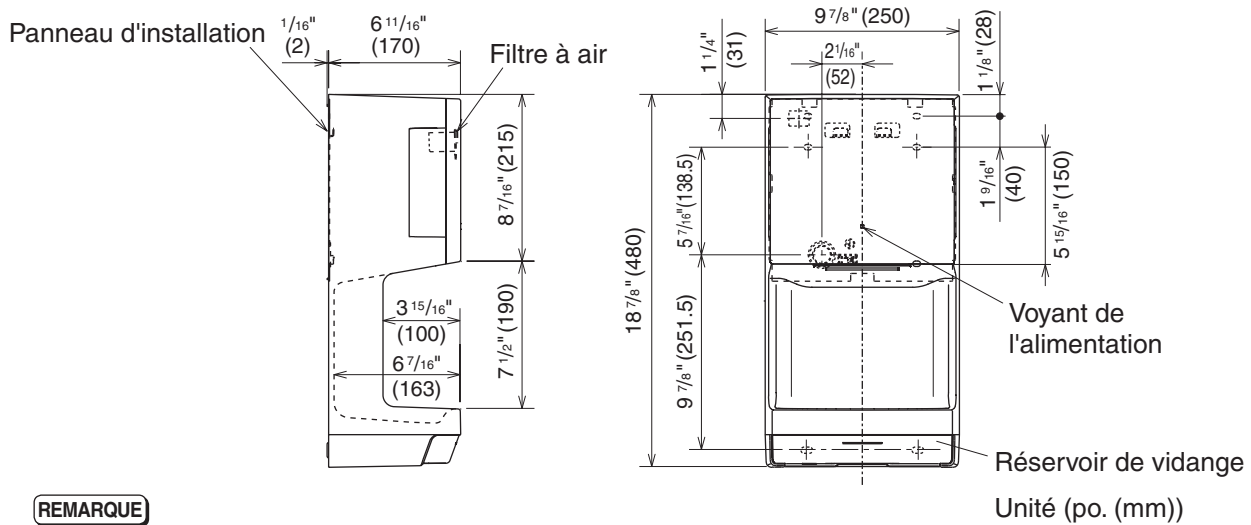
Renforcement de mur



※ Renforce les murs qui ne sont pas en béton.

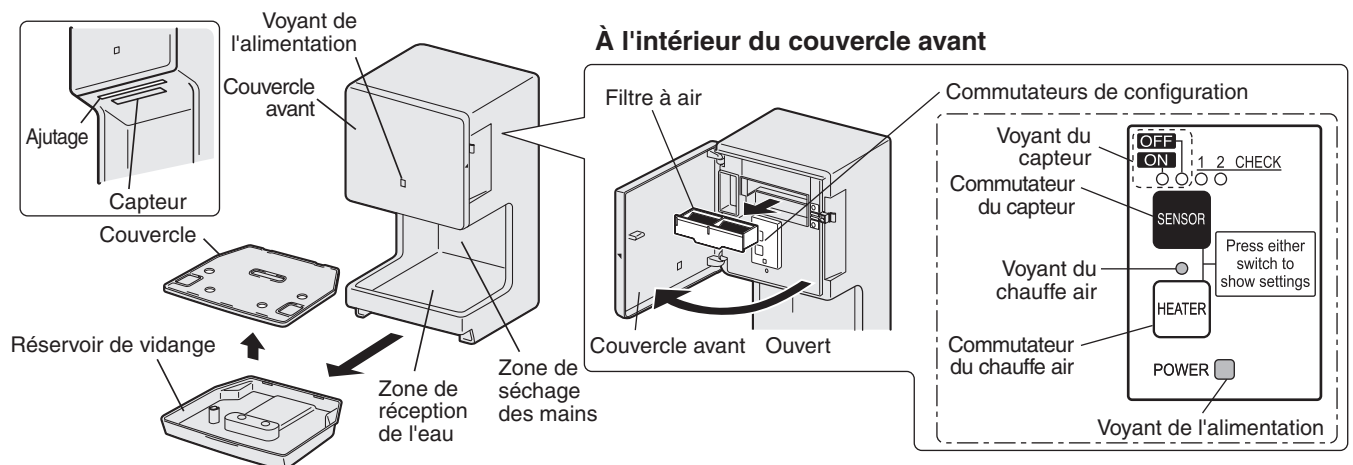
Nom des pièces et dimensions externes

■ Appareil principal



- Confirmez les détails dans la section « Conditions de l'installation » (page 5).

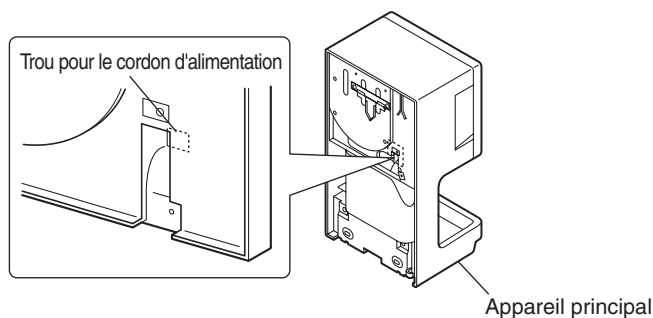
■ Avant



REMARQUE

- Ouvrez le couvercle avant tout en vous référant à la section « Comment ouvrir / fermer le couvercle avant » (page 13).
- Veuillez voir « Mettre en marche le chauffe air » (page 14) tout en allumant / éteignant le chauffe air.
- Veuillez voir « Désactivation du capteur avant tout entretien » (page 15) tout en mettant en marche / éteignant le capteur.

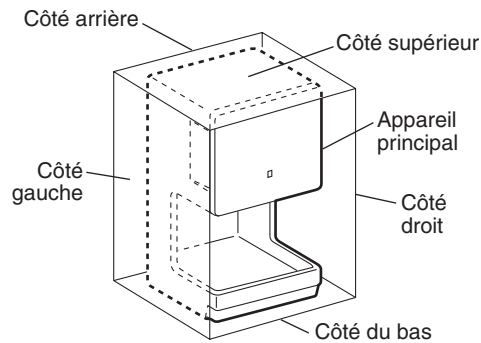
■ Arrière



Conditions d'installation

■ Espace d'installation requis

Attention Veuillez respecter au moins les distances répertoriées dans la table de droite par rapport aux murs, matériaux inflammables (combustibles), etc.



Unité (po. (mm))	
Emplacement	Distance d'isolation
Au-dessus	5 15/16" (150)
Gauche	3 15/16" (100)
Droite	5 15/16" (150)
Avant	Ouvert
En-dessous	2" (50)

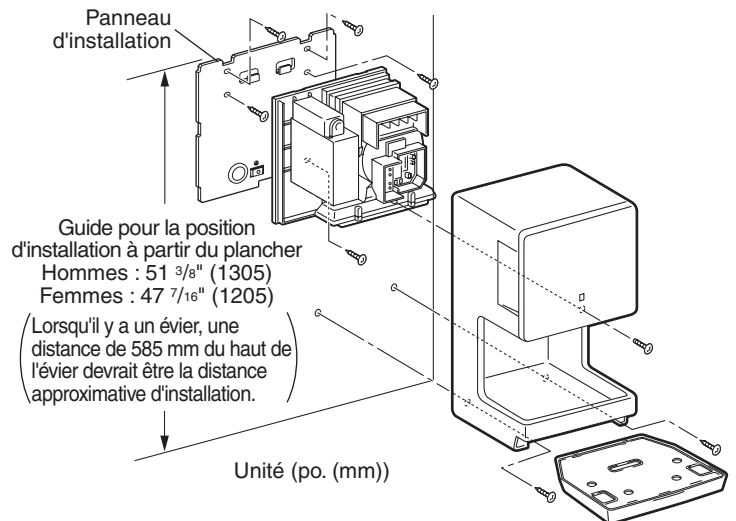
■ Murs appropriés pour l'installation

- Lors de l'installation sur un mur, choisissez un mur avec une surface à plat et égale.
- Lors de l'installation sur un mur en béton, utilisez des bouchons à vis métalliques disponibles dans le commerce.
- Avant toute installation, renforcez tout mur qui n'est pas en béton.

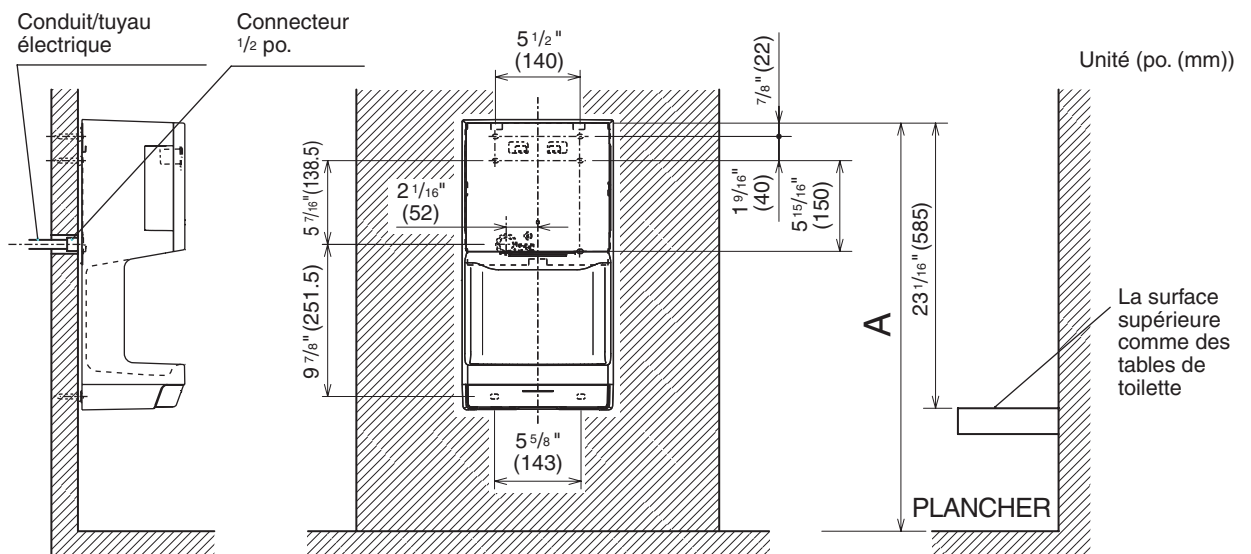
■ Faciliter l'utilisation de l'appareil

- Voir la section « Guide de position d'installation » et « Diagramme de l'installation » lors de l'installation de l'appareil afin de le rendre plus facile d'utilisation. S'il est installé en une position basse, il peut devenir mouillé lorsque l'évier est nettoyé. Si de l'eau entre dans l'appareil, cela peut l'endommager ou faire en sorte que les matériaux acoustiques absorbent l'eau et provoquent la croissance de bactéries.
- N'installez pas l'appareil près d'endroits comme des miroirs ou des murs. Cela peut aboutir à ce que des gouttes d'eau éclaboussent des zones non désirées durant le séchage des mains.
- N'installez pas l'appareil dans des endroits près de la nourriture ou d'ustensiles pour manger. Cela peut aboutir à ce que des gouttes d'eau éclaboussent des zones non désirées durant le séchage des mains.
- Évitez les endroits où des personnes ou des portes pourraient heurter l'appareil.

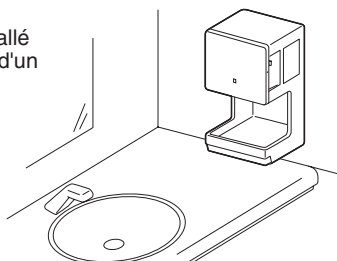
■ Guide de position d'installation



■ Diagramme de l'installation



※ Lorsqu'installé au-dessus d'un évier



Mesures A recommandées durant l'installation

Unité (po. (mm))		
Espace sous l'appareil	A	
Lorsqu'il n'y a pas d'objets en-dessous	Hommes	51 3/8" (1305)
	Femmes	47 7/16" (1205)
Lorsqu'il y a un objet comme un évier		23 1/16" (585)

Méthode d'installation

Pour confirmation

- Puissance d'entrée: 120 VCA à phase unique** sont utilisés (l'utilisation de la mauvaise tension d'alimentation peut provoquer des incendies, des décharges électriques ou des mauvais fonctionnements).
- Le disjoncteur de fuite à la terre est raccordé (ne pas raccorder un disjoncteur de fuite à la terre peut provoquer des décharges électriques).
- Un fil simple (cœur du câble : 2,0 mm² ou 3,0 mm²) est utilisé pour le câble de l'alimentation.

Avertissement

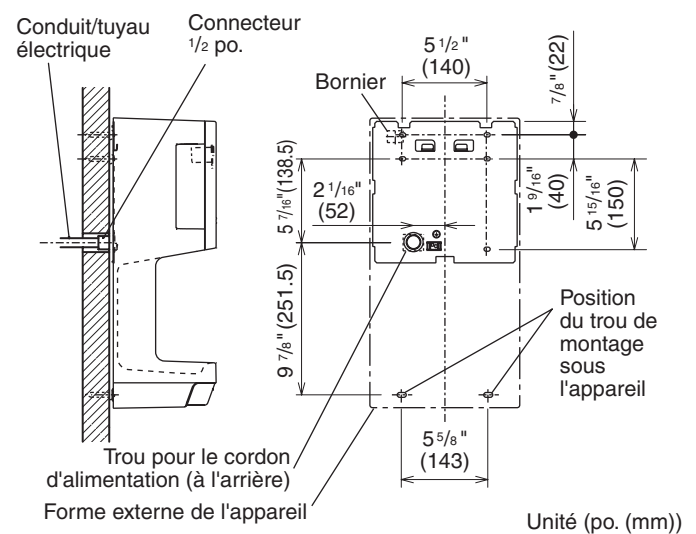
- Ce séchoir à mains doit avoir son propre circuit de dérivation indépendant muni d'un fil en cuivre de calibre 12 AWG ou 14 AWG.
- Utilisez une alimentation électrique de 120 VCA à phase unique.
L'utilisation d'une alimentation électrique non appropriée peut provoquer des incendies, de la fumée, des décharges électriques ou des anomalies de fonctionnement.

Attention

- N'effectuez pas l'installation lorsque l'appareil (le câble d'alimentation) est sous tension. Vous pourriez recevoir des décharges électriques.

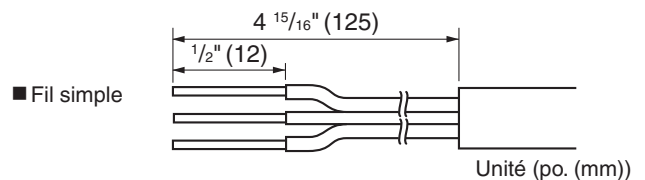
1. Assurez-vous que la rupture de fils lors de travaux de câblage fixe est conforme aux règlements de câblage.

- Suivez l'illustration sur la droite pour le câblage interne.
- Le câble d'alimentation pousse fortement sur l'appareil et ne permet pas une bonne installation si la boîte de raccordement n'est pas utilisée.

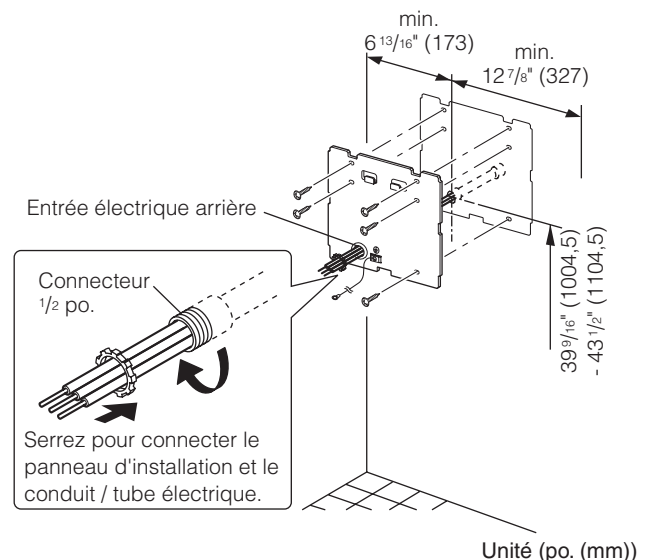


Raccordez-le au bornier. (Aucune polarité)

2. Dénudez 9/16 po. (15 mm) de gaine au bout.



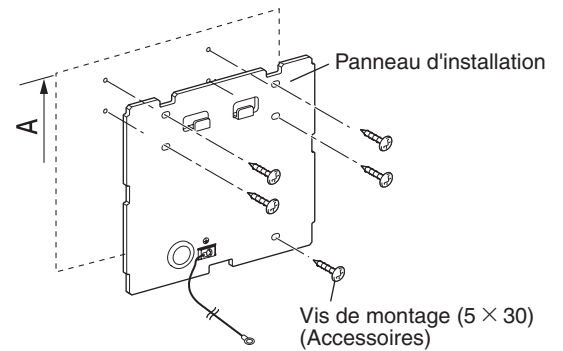
3. Posez au mur le panneau d'installation de sorte que l'entrée électrique arrière puisse être branchée au conduit / tube électrique préinstallé avec le connecteur de 1/2 po. (16 mm).



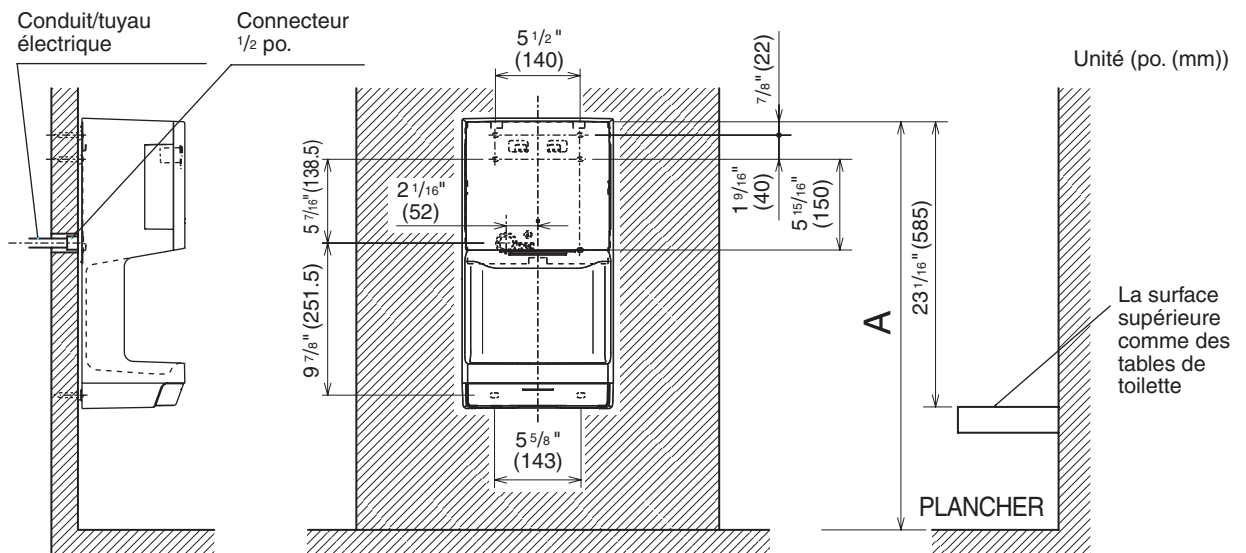
Méthode d'installation - suite

Fixez le panneau d'installation sur le mur avec les 5 vis de montage (5 × 30).

- Le « Guide de position d'installation » illustré sur la droite est recommandé.
- Lors de l'installation sur un mur, choisissez un mur avec une surface à plat et égale.
- Lors de l'installation sur un mur en béton, utilisez des bouchons à vis métalliques disponibles dans le commerce.
- Avant toute installation, renforcez tout mur qui n'est pas en béton.
- ※ Lors de l'installation au-dessus d'un évier, la mesure B recommandée est de 23 1/16" (585mm) au-dessus de l'évier.



■ Guide de position d'installation



Mesures A recommandées durant l'installation

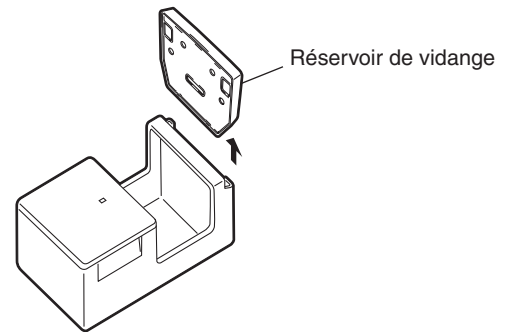
		Unité (po. (mm))
Espace sous l'appareil		A
Lorsqu'il n'y a pas d'objets en-dessous	Hommes	51 3/8" (1305)
	Femmes	47 7/16" (1205)
Lorsqu'il y a un objet comme un évier		23 1/16" (585)

2

Français

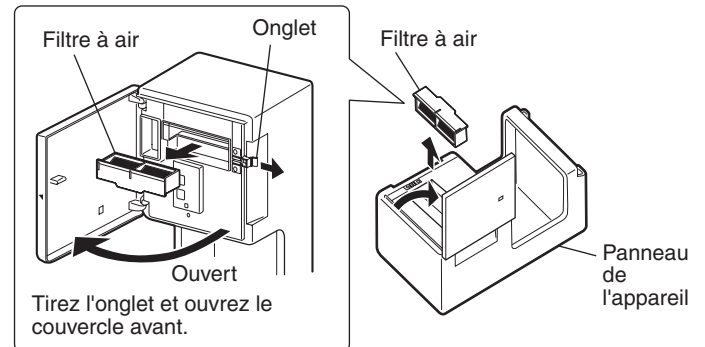
Méthode d'installation - suite

1. Retirez le réservoir de vidange.



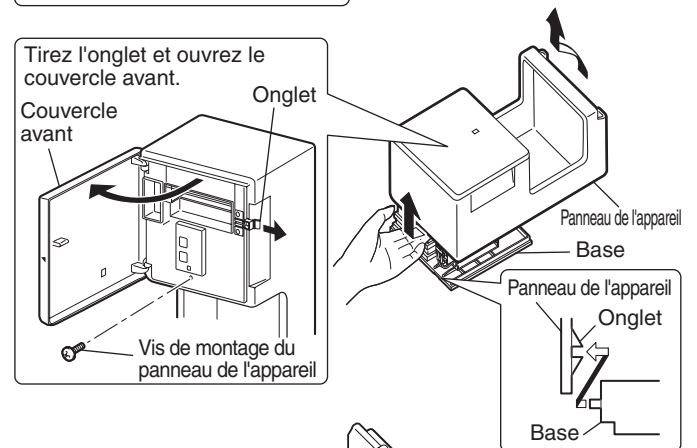
2. Ouvrez le couvercle avant et retirez le filtre à air.

※ Voir « Comment ouvrir / fermer le couvercle avant » à la page 13.



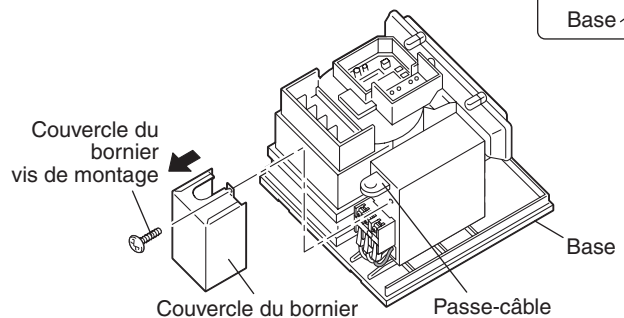
3. Retirez la vis de montage (1) du panneau de l'appareil.

4. Débloquez les onglets supérieurs (à 2 endroits) du panneau de l'appareil, et retirez le panneau de l'appareil de la base.



5. Retirez la vis de montage (1) du couvercle du bornier et retirez le couvercle du bornier.

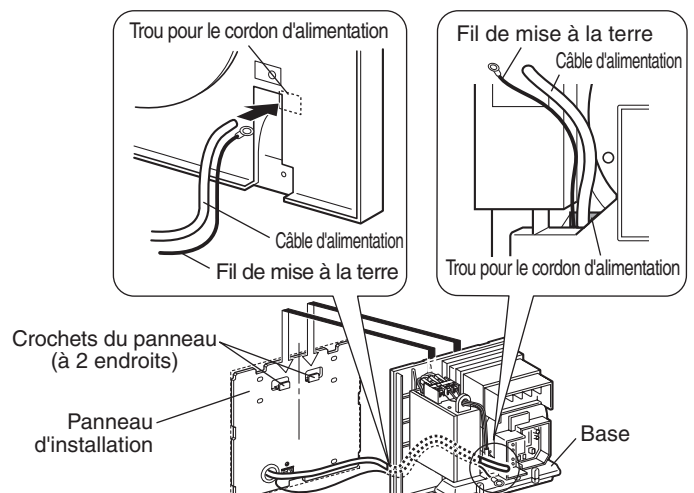
※ Veillez à ne pas perdre le passe-câble en caoutchouc.



1. Poussez le câble d'alimentation pour un câblage exclusif à travers le trou du cordon d'alimentation à l'arrière de la base.

2. Engagez la base avec les 2 crochets sur le panneau d'installation.

3. Vérifiez que le câble d'alimentation ne soit pas bloqué derrière la base.



Méthode d'installation - suite



Avertissement

● Puissance d'entrée : 120 VCA à phase unique utilisés.

L'utilisation d'une alimentation électrique non appropriée peut provoquer des incendies, des décharges électriques ou des anomalies de fonctionnement.



Attention

- Assurez-vous que l'appareil ne tombe pas lorsque la base n'est pas fixée au mur avec des vis. La chute de l'appareil peut provoquer des blessures.

Raccordez le câble d'alimentation au bornier. (Aucune polarité)

1. Dégainez 1/2 po. (12 mm) (fil simple).

2. Raccordez le câble d'alimentation au bornier.

- Lorsque du fil multibrin est utilisé pour le câble d'alimentation, fixez une borne isolée style langue en forme d'anneau à l'aide d'un outil approprié.
- Le bon couple est de 1,5 N·m

3. Vérifiez que le câble d'alimentation soit bien fixé au bornier.

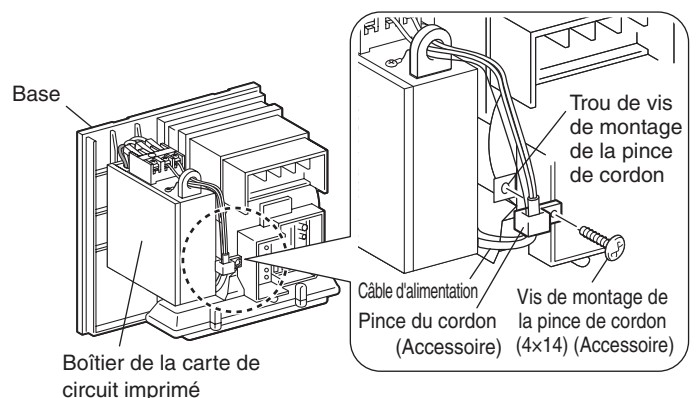
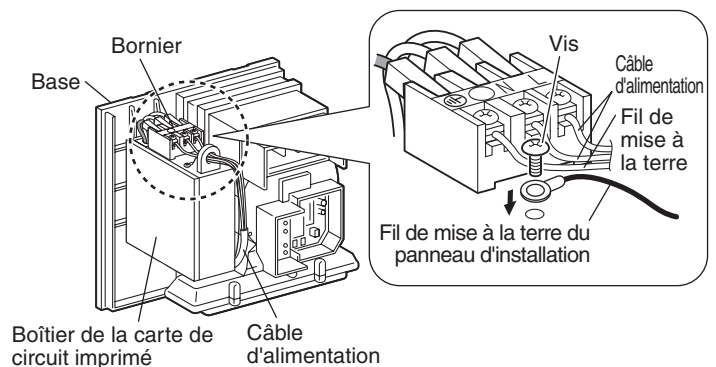
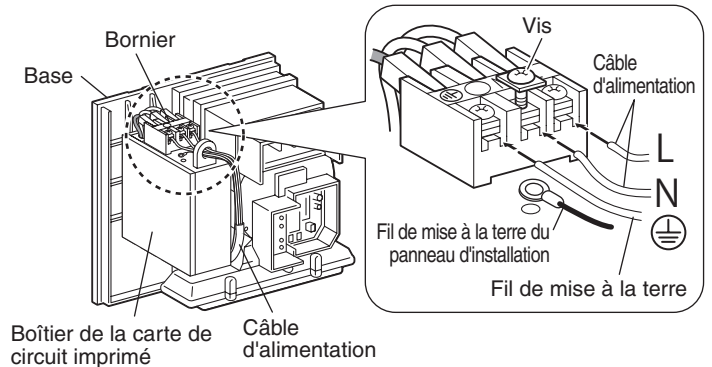
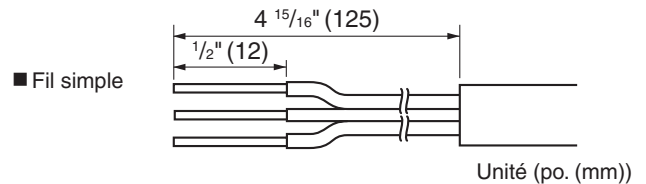
4. Raccordez le fil de la mise à la terre au bornier.

- Le bon couple est de 1,5 N·m

5. Vérifiez que le fil de la mise à la terre soit bien fixé au bornier.

6. Utilisez le trou de vis de montage de la pince de cordon pour fixer le câble d'alimentation avec la pince de cordon et la vis de montage (4 × 14).

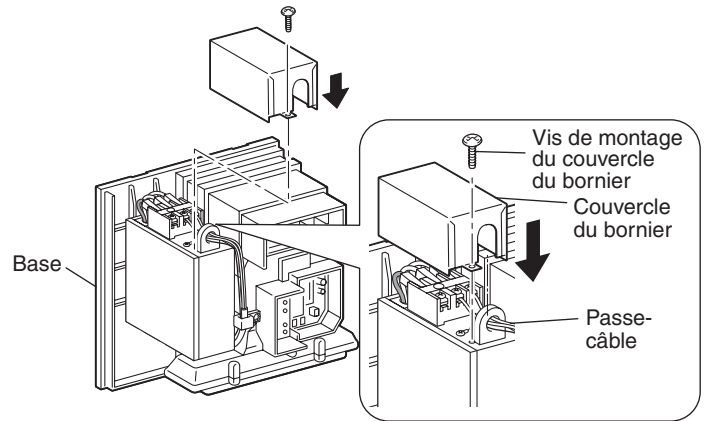
- Il convient d'appliquer un couple de 1,5 N·m
- Fixez la pince de cordon à la gaine extérieure du câble d'alimentation, avec la pince de cordon fixée à la position de montage de la pince de cordon.
- Réalisez le câblage de sorte que le câble d'alimentation passe par le côté droit du boîtier de la carte de circuit imprimé. Il est possible que le panneau de l'unité principale ne puisse être fixé s'il est au-dessus du boîtier de la carte de circuit imprimé.



Méthode d'installation - suite

6

1. Faites passer le câble d'alimentation par le passe-câble et fixez-le de nouveau au boîtier de la carte de circuit imprimé avec la vis de montage du couvercle du bornier.
2. Vérifiez que le câble d'alimentation et les fils électriques ne soient pas pincés nulle part.



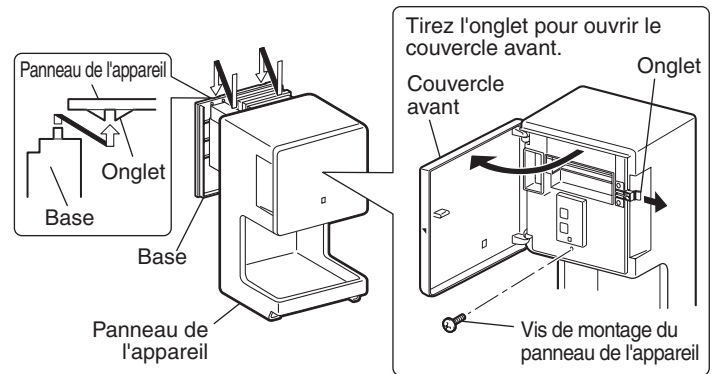
1. Insérez le « fil de raccord du moteur » dans l'espace des nervures sur la base.

Attention

- Vérifiez que le « fil de raccord du moteur » soit ajusté à l'espace des nervures.

2. Insérez les onglets (à 2 endroits) du panneau de l'appareil dans les barrures des crochets de la base et fixez le panneau avec la vis (1).

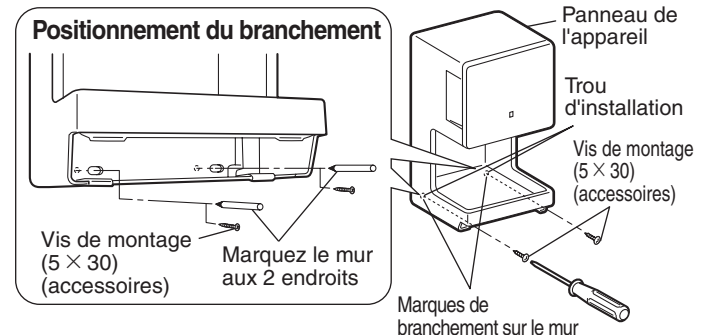
- La vis est à l'intérieur du couvercle avant.



3. Vérifiez que les 2 crochets sur le panneau de l'appareil soient accrochés dans la base.

4. Appuyez doucement sur l'appareil contre le mur et fixez-le en place à l'aide des 2 vis de montage (5 × 30).

- Lors de l'installation sur un mur de béton, utilisez des bouchons à vis métalliques disponibles dans le commerce en suivant les procédures ci-dessous avant de fixer le couvercle avant sur la base.
 - ① Placez de manière temporaire le panneau principal sur la base.
 - ② Marquez la position du trou dans le mur à travers le trou de la vis de montage avec un stylo.
 - ③ Enlevez le panneau de l'appareil et insérez les bouchons à vis métalliques disponibles dans le commerce dans les endroits marqués du mur.
- Avant toute installation, renforcez tout mur qui n'est pas en béton.



7

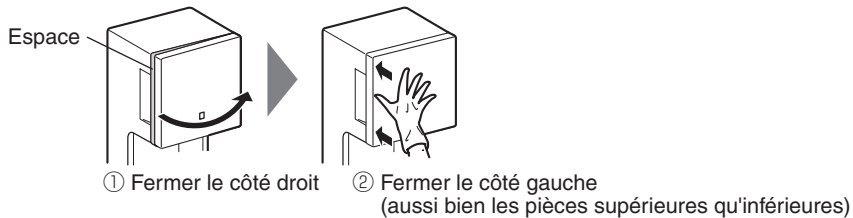
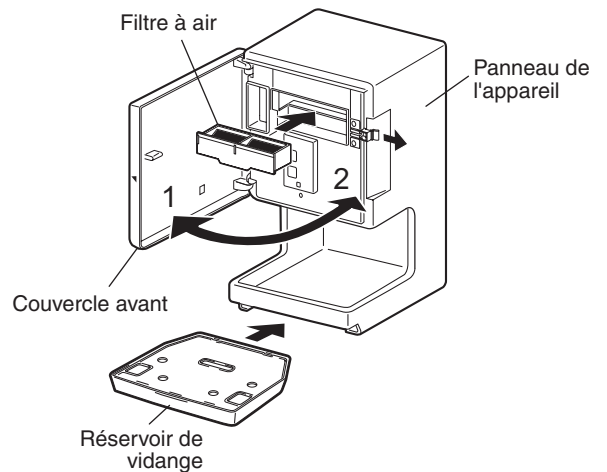
Français

Méthode d'installation - suite

8

1. Ouvrez le couvercle avant et fixez le filtre à air.
2. Fermez le couvercle avant et poussez l'onglet dans le loquet pour bien fermer le couvercle avant.
3. Vérifiez que le couvercle avant soit solidement fermé.

Attention ● Vérifiez que le couvercle avant soit fermé et ajusté de manière sécuritaire. Appuyez de nouveau sur le couvercle avant afin qu'il soit solidement fermé contre le panneau de l'appareil.
※ Voir « Comment ouvrir / fermer le couvercle avant » à la page 13.



4. Installez le réservoir de vidange.

Essai de fonctionnement

	Étape	Vérification à effectuer	Vérifier
1	Vérifiez la tension de l'alimentation	<p>Utilisez-vous la bonne tension d'alimentation ? (JT-MC106G-W-NA type : Puissance d'entrée : 120 VCA à phase unique)</p> <p>Une tension d'alimentation incorrecte peut provoquer de mauvais fonctionnements ou une faible force d'air de séchage.</p>	
2	Mettez le disjoncteur de fuite à la terre en position « ON » (Marche).		
3	Mettez le commutateur du capteur à la position « ON » (Marche). (page 4)	Y a-t-il des voyants allumés sur l'afficheur ?	
4	Insérez vos mains pour vérifier l'existence d'un souffle d'air. (page 4)	Y a-t-il un souffle d'air ?	
5	Mettez le commutateur du chauffe air à « ON » (Marche). (page 14)	<p>Y a-t-il un souffle d'air chaud ? (Même si le commutateur du chauffe air est à « ON » (Marche), le chauffe air peut ne pas fonctionner s'il est utilisé de manière continue.) ※ Comme le chauffe air est plutôt simple, l'air peut ne pas paraître chaud si la température de la pièce est basse (68 ° F (20 °C) ou en dessous).</p>	
6		Est-ce que l'appareil est monté solidement et il n'émet aucun bruit anormal ou vibration ?	

- Le voyant de l'entretien et celui du chauffe air s'éteignent après environ 10 secondes. Lorsque le commutateur du capteur ou celui du chauffe air est de nouveau appuyé sur, les voyants dans la section de l'afficheur reviennent à l'état où a été configuré les paramètres.

Attention

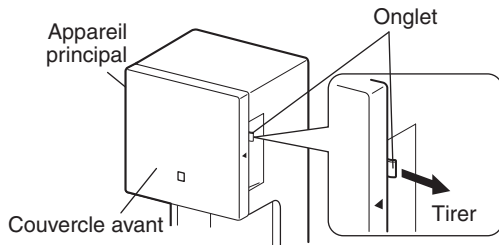
- Si le voyant de l'alimentation clignote, mettez le disjoncteur à « OFF » (Arrêt), vérifiez que le voyant de l'alimentation soit éteint, et attendez 1 minute avant de remettre le disjoncteur à « ON » (Marche).

Vérifications initiales de la configuration

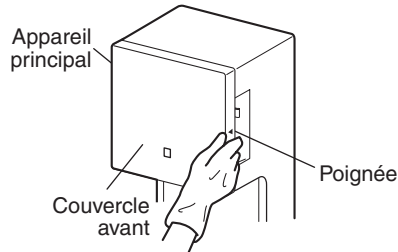
■ Comment ouvrir / fermer le couvercle avant

Comment ouvrir le couvercle avant

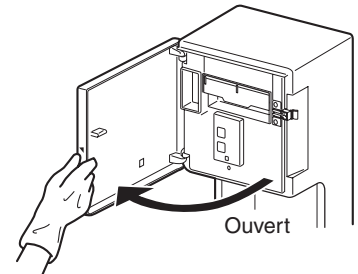
1 Tirez l'onglet pour ouvrir le couvercle avant.



2 Maintenez la poignée qui est sur le côté droit de l'appareil.



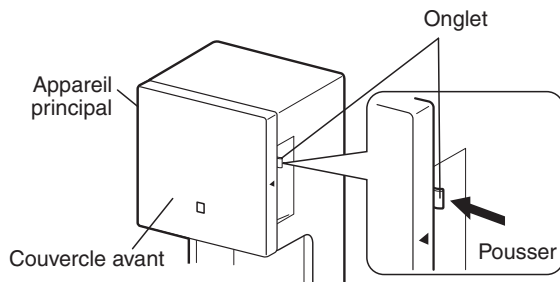
3 Ouvrez.



Comment fermer le couvercle avant

Fermez le couvercle avant en suivant dans le sens inverse les procédures pour l'ouvrir.

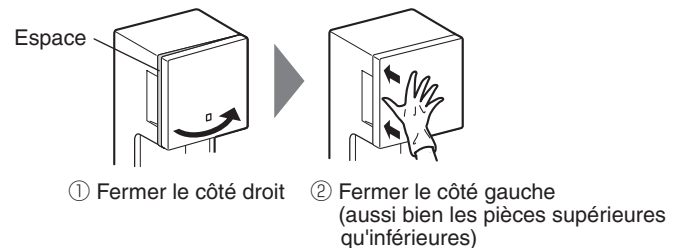
Fermez le couvercle avant afin qu'il n'y ait pas d'espace entre celui-ci et l'appareil, puis poussez-y l'onglet pour bien fermer le couvercle avant.



Attention

● Vérifiez que le couvercle avant soit fermé et ajusté de manière sécuritaire.

Appuyez sur les parties supérieures et inférieures du couvercle avant contre l'appareil afin qu'il soit fermé de manière sécuritaire.

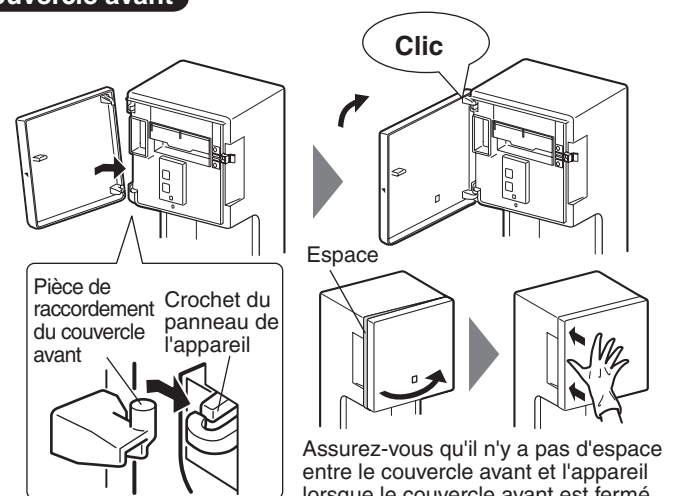


Précautions à prendre lors de l'ouverture / fermeture du couvercle avant

Si le couvercle avant se détache, veuillez le fixer de nouveau en suivant les procédures suivantes.

※ Il est conçu pour se détacher afin d'empêcher tout dégât s'il est ouvert à un angle trop grand.

- 1** Appuyez la partie du bas du raccordement du couvercle avant retiré dans le crochet du panneau du bas de l'appareil.
- 2** Appuyez la partie du haut du raccordement du couvercle avant dans le crochet du panneau du haut de l'appareil.
- 3** Vérifiez que le couvercle avant soit fermé et ajusté de manière sécuritaire.



Vérifications initiales de la configuration - Suite

■ Mettre en marche le chauffe air

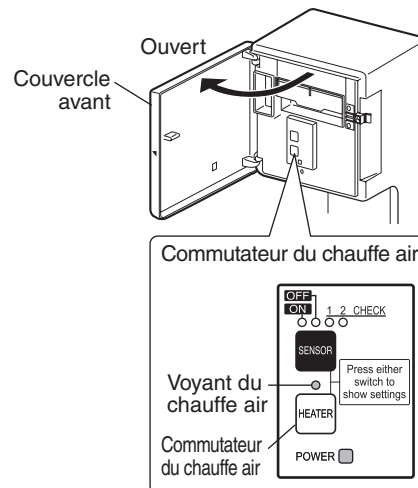
1 Ouvrez le couvercle avant.

2 Appuyez sur le commutateur du chauffe air ou sur le commutateur de l'entretien et laissez s'allumer le voyant des paramètres.

3 Mettez le commutateur du chauffe air à « ON » (Marche).

※ Le chauffe air peut ne pas fonctionner de manière continue car il y a un danger de brûlures lorsque la température de l'air chaud augmente.

L'air peut ne pas paraître chaud lorsque la température de la pièce est basse (68 ° F (20 °C) ou en dessous).



Vérification des paramètres

Le voyant du chauffe air et celui de l'entretien s'éteignent après environ 10 secondes (pour économiser de l'énergie) après que ces options aient été configurées. Pour vérifier la configuration, appuyez soit sur le commutateur du chauffe air ou soit sur celui de l'entretien.

■ Paramètres et guide de temps de séchage

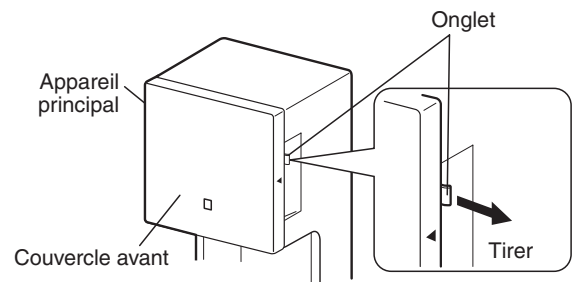
Guide de temps de séchage [※]	Bruit
(environ) 13 secondes	(environ) 64 dB

※ Les temps de séchage sont basés sur les mesures de Mitsubishi. (50 mg d'eau par main)

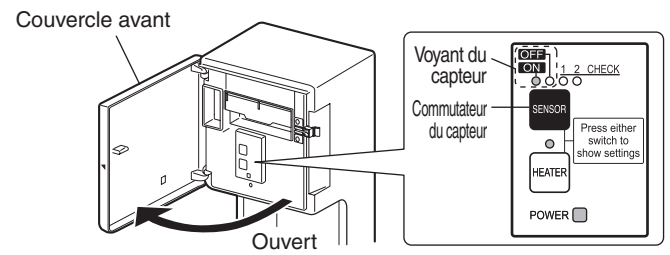
Vérifications initiales de la configuration - Suite

■ Désactivation du capteur avant tout entretien

1 Tirez l'onglet et ouvrez le couvercle avant.



2 Ouvrez le couvercle avant.



3 Appuyez sur le commutateur du capteur et laissez allumer son voyant.

4 Mettez le commutateur du capteur à « ON » (Marche).

MITSUBISHI ELECTRIC CORPORATION

Tokyo Building 2-7-3, Marunouchi, Chiyoda-ku, Tokyo 100-8310, Japan