

storm

Hand Dryer²

**HYGIENIC
EXTRAVAGANT
ERGONOMIC**

**10 - 15
SECOND
DRY TIME**

**ADA COMPLIANT
HEPA FILTER
ION+ COATING
LED SENSOR**



ULTRA SERIES Hand Dryers

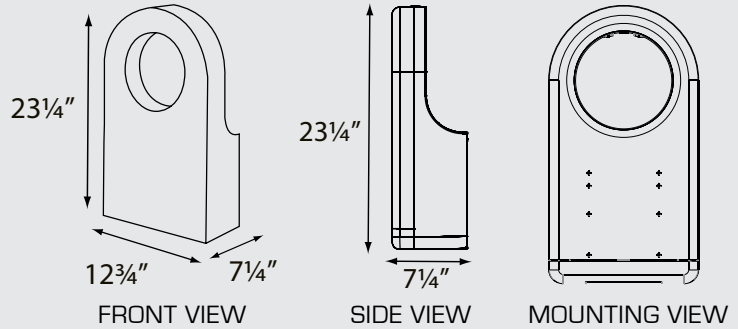
**PALMER
FIXTURE**

ULTRA SERIES Hand Dryers from Palmer Fixture



TECHNICAL SPECIFICATIONS

MATERIAL	Polycarbonate ABS (ION+)
MOTOR TYPE	1HP, 350-700W
THERMAL PROTECTION	Thermostat shut-off at 275F (135C) Thermal cut-off at 288F (142C)
OPERATING AIRFLOW	19,476 LFM, Adjustable
AIR OUTPUT TEMP	140F (60C) Ambient Temp. 68F (20C)
SOUND LEVEL	65dB to 78dB MAX
ISOLATION	Class 1
DRIP PROOF	IP23
WATTS	1600 W (700 W with heater off)
RPM	11,000-20,000, Adjustable
MOUNTING	Surface
WEIGHT	24lbs



MOUNTING HEIGHTS from bottom of dryer to floor

MEN	48"
WOMEN	45"
CHILDREN (AGES 3-10)	37"
CHILDREN (AGES 11-18)	42"
DISABLED	35.5"

DIMENSIONS

24.60" H x 12.75" W x 7.25" D

WEIGHT

24 lbs

iStorm EXTRAS

FILTER	SP098099-002
BACKSPASH KIT	SP098099-050
BACKSPASH PLATE	SP098099-051

PRODUCT FEATURES

- Incredible 10-15 second dry time
- Ergonomically designed, this reduces uncomfortable bending
- Water absorbing ceramic backspash prevents wet floors and water damage
- Super 3-layer HEPA filter eliminates over 99% of airborne bacteria
- Adjustable airspeed for custom settings to maximize efficiency
- Antibacterial coating reduces the ability for micro-organisms to grow
- On/Off switch for heater so air temp is appropriate for all climates
- 5 Year Limited Warranty

COLOR OPTIONS:

08 Platinum **16** Black **17** White

MODEL #	VOLTAGE	AMPS	COLOR
HD0983-08	110/120V	12.2-13.3	Platinum
HD0983-16	110/120V	12.2-13.3	Black
HD0983-17	110/120V	12.2-13.3	White
HD0984-08	208/220V	5.7-6.6	Platinum
HD0984-16	208/220V	5.7-6.6	Black
HD0984-17	208/220V	5.7-6.6	White
HD0985-08	277V	6.6	Platinum
HD0985-16	277V	6.6	Black
HD0985-17	277V	6.6	White

Ph: 800.558.8678
Ph: 920.884.8698
Fax: 920.884.8699
info@palmerfixture.com



www.palmerfixture.com

Palmer Fixture
P.O. Box 10887
Green Bay, WI 54307
www.stormdryers.com