



## Installation

Verify all rough-in dimensions prior to installation. Hand dryers require a dedicated circuit and must be properly grounded. A GFCI (Ground fault circuit interrupter) is recommended. The ideal location is between the wash-basin and exit. It is recommended that hand dryers be distributed throughout the washroom area to avoid overcrowding.

## Certificates & Qualifications

Fulfill ADA requirements for a barrier-free washroom. GreenSpec approved & offering LEED Credits. UL and CSA approved according to UL 499 and CSA C22.2 standards.

## N° dryers to be fitted

- In toilet areas with a normal frequency of use and only one wash-basin: 1 dryer.
- In toilet areas with a normal frequency of use and more than one wash-basin: 1 dryer for each 2-3 wash basins.
- In toilet areas with multiple wash basins: 4 wash basins: 2 dryers; 1 row of 6 wash basins: 2-3 dryers; 1 row of 8 wash basins: 3 dryers.

## Ideal location

Between the wash-basin and exit. It is not recommended to install dryer between wash-basins, next to urinals, lavatories and showers. It is recommended that hand dryers be distributed throughout the washroom area to avoid overcrowding.

## Guide specification

Surface-mounted ADA-compliant hand dryer shall have a high impact 1/8" thick ABS cover in white (M14A-UL) satin finish (M14ACS-UL) and black (M14AB-UL). Hand dryer shall include a fully adjustable (19,000 -28,000 RPM) universal-type brush motor, with a heating element (switch on/off option) power of 250W. Noise level should be from 62-72 dBA while delivering 55-89 CFM of air at 104°F and 233 mph as maximum air velocity (Max - 20,451 LFM) during user controlled drying cycle. Dryer shall have a total power of 350-1,300 W with a consumption of 8 to 10 A with the heating element "On". Protection level against water splashes should be rating IPX4.

Unit shall be UL and CSA approved, according to UL 499, 13th Edition, CSA C22.2 standards, and GreenSpec approved.

## Overall dimensions:

**M14A-UL, M14ACS-UL, M14AB-UL:** 26 1/8"H x 12 5/8"W x 9"D (665 mm x 320 mm x 228 mm)  
Weight: 18.3 Lbs. (8.3 kg)

## Recommended heights from floor

	Male	Female	Child	Disabled
<b>x</b> To top of machine	36 1/4" / 92 cm	36 1/4" / 92 cm	34 1/4" / 84 cm	34 1/4" / 84 cm
<b>y</b> To mounting brackets	33 1/2" / 85 cm	33 1/2" / 85 cm	31 1/2" / 80 cm	31 1/2" / 80 cm
<b>z</b> To electrical entry point	22 1/2" / 57 cm	22 1/2" / 57 cm	20 1/2" / 52 cm	20 1/2" / 52 cm

Job:

Model number:

Variations:

Architect / Engineer:

Contractor:

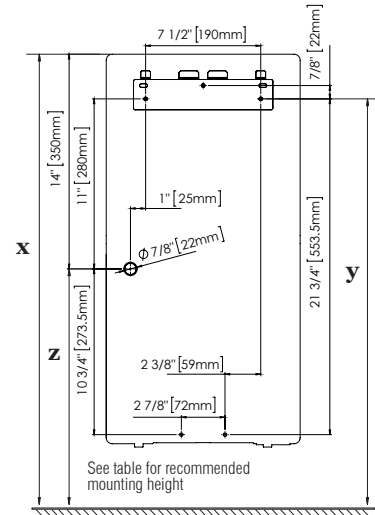
Customer / Wholesaler:

City / State / Country:

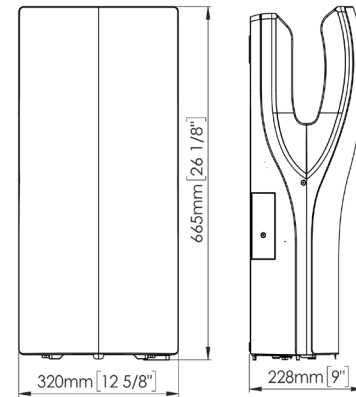
Date:

Quantity:

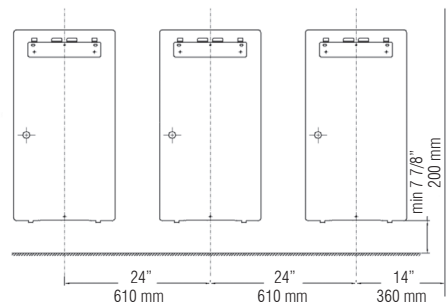
## MOUNTING



## M14A-UL / M14ACS-UL / M14AB-UL



## Serial mounting



Saniflow Corp reserves the right to make changes and/or modifications to the products and their specifications without warning or notice.

For further info please contact SANIFLOW on: Toll free: **1-877-222-9125** or visit our website at **www.saniflowcorp.com**

Tel: +1 (305) 424 2433 Fax: +1 (305) 424 2435 · [sales@saniflowcorp.com](mailto:sales@saniflowcorp.com)

[HandDryerSupply.com](http://HandDryerSupply.com) | 804-859-2498 | [sales@handdryersupply.com](mailto:sales@handdryersupply.com)