



Technical Data

QuietDry™ TerraDry™ SURFACE-MOUNTED HAND DRYER

B-7180 B-7185 B-7188

Specify Model Required:

- B-7180 Dryer with White High Gloss Epoxy Cover
- B-7185 Dryer with Brushed Aluminum Cover
- B-7188 Dryer with Chrome Cover

Specify model number followed by voltage required.
Example: B-7188 115V for 115-volt Chrome cover hand dryer.

Specify Voltage Required:

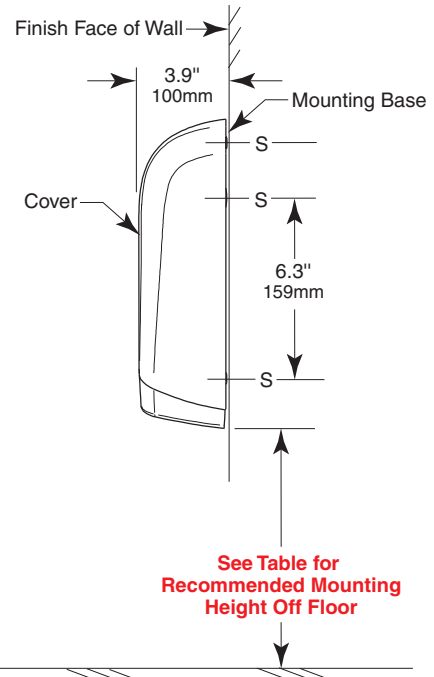
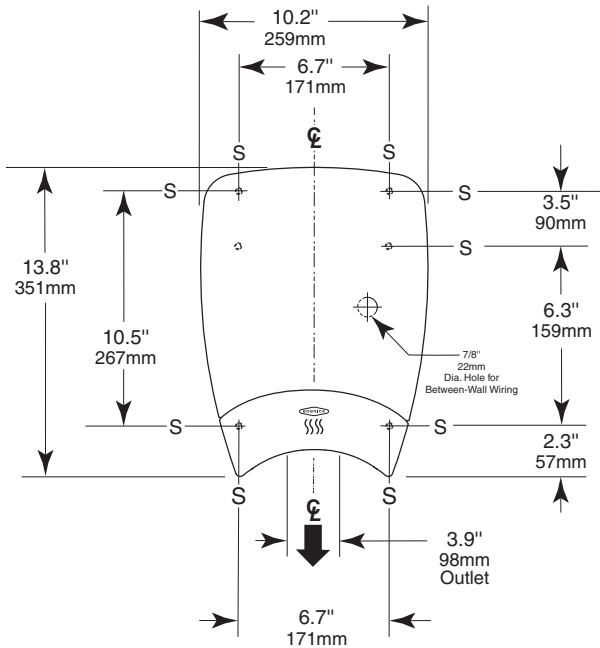
- 115V AC, 8.5 Amp, 50/60 Hz, 1000 Watts, Single Phase, cULus Listed.
- 208-240V AC, 4.0-4.4 Amp, 50/60 Hz, 1000 Watts, Single Phase, cULus Listed and CE marked.



*RECOMMENDED MOUNTING HEIGHTS

Children's Washrooms, ages 3-4	36" (915mm)
Children's Washrooms, ages 5-8	40" (1015mm)
Children's Washrooms, ages 9-12	44" (1120mm)
 Universal Design	48" (1219mm)

*Bottom screw hole of mounting base to finish face of floor



MATERIALS:

Cover — Aluminum die-casting with high-gloss epoxy finish electrostatically applied. White (B-7180), Brushed Aluminum (B-7185) and Chrome (B-7188). Cover projects no more than 4" (100mm) from wall and is secured to mounting base with two vandal-resistant, recessed hex-screws.

Air-Inlet Grill — One-piece vandal resistant UL 94-5V black plastic.

Mounting Base — Equipped with four 0.236" (6mm) diameter mounting holes and one 7/8" (22mm) diameter holes suitable for between-wall wiring.

Motor/Fan — Thermally protected, Universal, 1/7 hp, 8000 rpm motor, on resilient mounting. Shielded ball bearings at both ends. Double-inlet forward curved impeller, providing air volume of 120 m³/hr (71cfm); air velocity of 35m/s (7000 lfm).

continued . . .

Heating Element — Coiled Nichrome heating element mounted on a mica frame, protected by integral automatic thermal overload device. To heat air without hot spots and remain inaccessible to vandals.

Electronic Control — Infrared sensor automatically turns dryer on when hands are held under air-outlet opening and across path of sensor. Remove hands from path of sensor and dryer stops. Electronic sensor has automatic shutoff approximately 1-1/2 minutes after dryer turns on if an inanimate object is placed across air-outlet opening. After inanimate object is removed, electronic sensor automatically resets itself and dryer operates normally.

OPERATION:

No-touch operation: electronic sensor automatically turns dryer on when hands are held under air-outlet opening and across path of sensor. Remove hands from path of sensor and dryer stops. Dryer will not stop by itself before user is satisfied hands are dry. Dryer operates only when actually drying hands which saves energy and operating costs. Electronic sensor will automatically shut dryer off 1-1/2 minutes after dryer turns on if an inanimate object, such as tape or chewing gum, is placed across air-outlet opening. After inanimate object is removed, electronic sensor automatically resets itself and dryer operates normally.

SAFETY WARNING: Installation and wiring must conform to current local regulations and building codes. Unit must be installed by a qualified electrician. Turn off electrical power supply before making electrical connections. If the unit fails or malfunctions, it should be disconnected from the power supply and a qualified electrician should be called. To avoid potential injury, the building owner or maintenance personnel should remove the unit from service if the grille is missing or damaged.

10-Year Limited Warranty — In addition to Bobrick's one-year guarantee, Bobrick extends a limited 10 year warranty from the date of purchase for Model B-7180, B-7185 and B-7188 hand dryers on all parts, except motor brushes, to the original owner of the installed unit against defects in factory workmanship or material under normal use and service. Motor brushes are warranted for 3 years from date of purchase. This warranty is limited to the repair or exchange of defective parts at the option of Bobrick.

SPECIFICATION:

Surface-mounted hand dryer shall have an aluminum die-cast cover with high-gloss epoxy finish electrostatically applied. White (B-7180), Brushed Aluminum (B-7185) and Chrome (B-7188) finish. Slim profile cover shall project no more than 4" (100mm) from the finished face of wall to comply with accessible design guidelines (including ADAAG in the U.S.A.). Motor shall be 1/7 hp, universal type on resilient mounting with shielded ball bearings; equipped with automatic thermal-overload device. The unit shall be uniquely designed to have a sound pressure level of 70dB(A) measured at 39" (1 metre) from source. Heating element shall be located on outlet side of fan; shall heat air without hot spots; shall be inaccessible to vandals; protected by an automatic thermal-overload device. Electronic sensor shall automatically energise the dryer on when hands are held under air-outlet opening and across path of sensor. Dryer shall turn off automatically when hands are removed. Sensor shall automatically shut dryer off approximately 1-1/2 minutes after dryer turns on if an inanimate object is placed across air-outlet opening. After inanimate object is removed, electronic sensor shall automatically reset itself and dryer shall operate normally. Unit shall be cULus Listed, and/or CE marked. Unit shall comply with EU Directive "Restriction of Hazardous Substance" (ROHS) requirements for non-use of certain hazardous substances in the production of electronic products.

QueitDry, TerraDry Surface-Mounted Hand Dryer shall be Model B-7180, B-7185 or B-7188 of Bobrick Washroom Equipment, Inc., Clifton Park, New York; Jackson, Tennessee; Los Angeles, California; Bobrick Washroom Equipment Company, Scarborough, Ontario; Bobrick Washroom Equipment Pty. Ltd., Australia; and Bobrick Washroom Equipment Limited, United Kingdom.