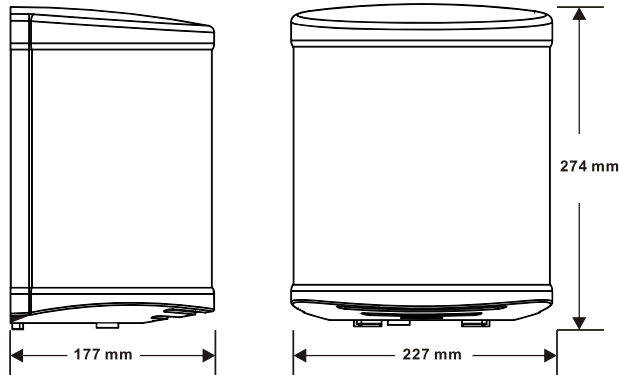


PALMER FIXTURE COMPANY

HIGHSPEED HAND DRYER

Operating Instructions and Parts Manual (Automatic)

Surface Mount



HD950 SS

TECHNICAL SPECIFICATIONS

ITEM CATEGORY

PERFORMANCE DATA

Operating Voltage	110-120Vac, 50/60 Hz, 1.34-1.6 kW 220-240Vac, 50/60 Hz, 1.34-1.6 kW
Warm Air Speed Output	168-224 mi/hr (75-100 m/s), adjustable
Air Output Temperature	113°F (45°C) – Ambient Temp. 68°F (20°C)
Dryer Shall Deliver	49-65 CFM (87-116 m³/h)
Motor Type	15/16HP, 350-700W, 12000-18000 R.R.M., Adjustable; Brush Type, Dual Ball Bearings
Motor Thermal Protection	Auto Resetting Thermostat turns unit off, 110V-120V at 275°F (135°C), 220-240V at 221°F (105°C)
Heater Element	450-900W, adjustable
Heater Thermal Protection	Auto Resetting Thermostat turns unit off at, 149°F (65°C)
Drying Time	Less than 15 seconds
Circuit Operation	Infrared Automatic, self adjusting
Sensor Range	2" to 13" [51 mm to 330 mm], adjustable; standard 7" [18 cm±2 cm]
Timing Protection	60 seconds auto shut off
Drip proof	IPX1 ♦
Isolation	CLASS 1
Net Weight	12.8 lbs (5.8 kgs)
Shipping Weight	14.6 lbs (6.6 kgs)
Unit Size	8-15/16" W x 10-25/32" H x 6-31/32" D [227 mm x 274 mm x 177 mm]

COVER TYPE/ COVER FINISH

Stainless steel; #4 satin finished. (AISI 304 t:1.5 mm)

Stainless steel; bright finished. (AISI 304 t:1.5 mm)

Hand Dryer

Operating Instructions and Parts Manual

Surface-mounted high speed hand dryer

General safety information:

⚠ WARNING This product is intended for installation by a qualified service person. Use AWG No. 16 solid conductor for wiring.

⚠ DANGER Failure to properly ground unit could result in severe electrical shock and/or death.

⚠ WARNING Disconnect power at the service breaker before installing or servicing. NOT FOR HOUSEHOLD USE - MAY CAUSE BURNS. " IMPROPRE A L'USAGE DOMESTIQUE - PUET OCCASIONNER."

⚠ WARNING All units must be supplied with a 3-wire service. The ground wire must be connected to the dryer's backplate.

-- **NOTE:** Do not install dryer over washbasin --

Type Y attachment

If the power supply cord is damaged, it must be replaced by the manufacturer or its service agent or a similar qualified person in order to avoid a hazard.

Means for disconnection must be incorporated in the fixed wiring in accordance with the wiring rules.

Installation

1. Make sure power supply breaker is switched off. Installation must be carried out in accordance with the current edition of the local wiring regulations code having jurisdiction. Installation should be performed only by a qualified electrician.
2. Place template against wall at desired height (see mounting height recommendations) and mark locations of 4 mounting holes and wire service entry at knockout (KO) location.

Note: For two or more dryers, dryers should be no closer than 24 inches (610 mm) on center.

3. Remove and retain 2 cover screws and cover.
4. Connect supply wires to terminal block where indicated and connect ground wire to base plate with ground screw

Connections :

- A. Connect the live wire (colored red or black) to the terminal block marked "L".
- B. Connect the neutral wire (colored white or blue) to the terminal block marked "N".
- C. Connect the ground wire (colored green or green and yellow) to the green screw marked "⊕".

Note that colors of live and neutral wires depend on voltage of supply service.

5. Replace cover. Do not over-tighten screws.

Hand Dryer

Operating Instructions and Parts Manual

Surface-mounted high speed hand dryer

Recommended mounting heights

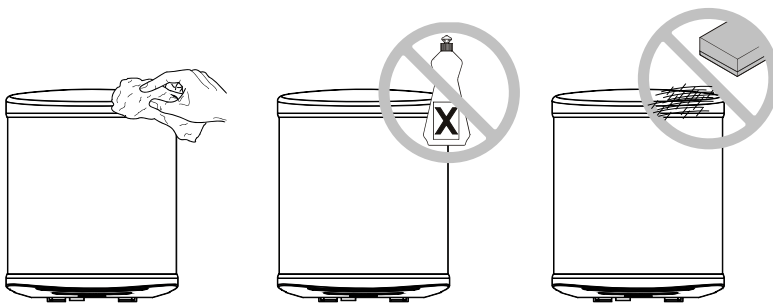
- from bottom edge of dryer above finished floor (AFF)

Men's	43"
Ladies	41"
Children, ages 11-17	39"
Children, ages 3-10	33"
Handicapped	35"

Cleaning and Maintenance

Periodic cleaning of the unit is recommended to ensure optimum performance.

- Disconnect the electrical supply.
- Remove the two cover-mounting screws.
- Remove the cover.
- Clean all dust lint from the interior of the dryer.
- Wipe the cover with a damp cloth and mild cleaning solution. Do not Soak. Never use abrasives to clean the cover.
- Replace the cover. Do not over tighten the screws.



Operation

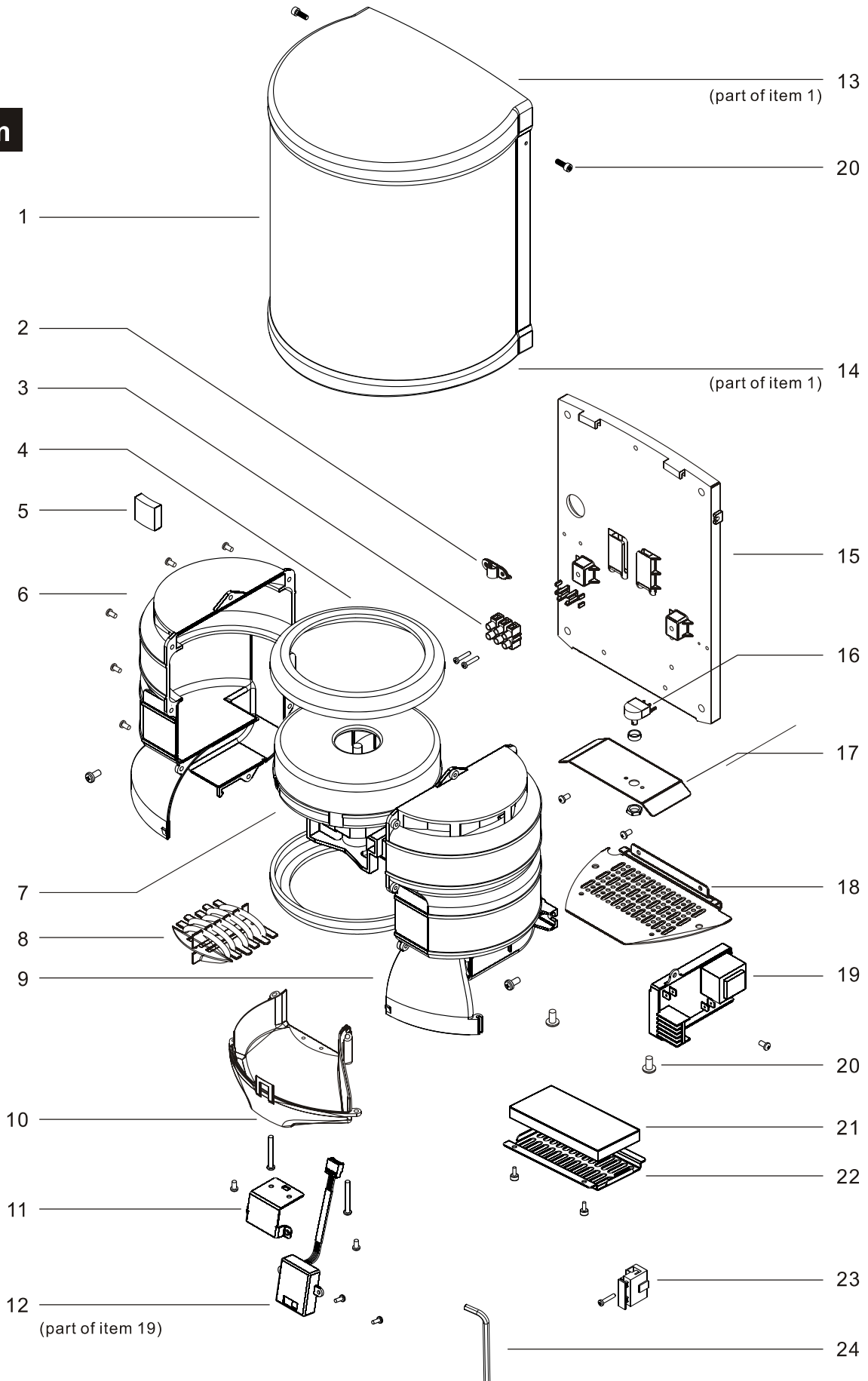
- No-touch operation
- Shake excess water from hands.
- Place hands under the outlet to start operation.
- Rub hands lightly and rapidly.
- Stops automatically after hands are removed.

Hand Dryer

Operating Instructions and Parts Manual

Surface-mounted high speed hand dryer

Diagram



Hand Dryer

Operating Instructions and Parts Manual

Surface-mounted high speed hand dryer

Repair parts list

Key	Part #	Description
1	C0309-0002	Stainless Steel - Satin finish
	C0309-0003	Stainless Steel - Bright finish
2	A0101-0020	Cable clamp
3	F0801-0001	Terminal block
4	G0109-0002	Motor rubber (2 reqd.)
5	G0309-0007	Shock absorber
6	A0109-0006	Blower housing - LH
7	E0109-0001	Motor 110-120Vac 700W
	E0109-0003	Motor 220-240Vac 700W
8	T0209-0016	Heater element 120Vac 900W
	T0209-0017	Heater element 240Vac 900W
9	A0109-0007	Blower housing - RH
10	A0109-0009	Air outlet
11	C0109-0013	Sensor bracket
12	F0301-0006	Sensor Module
13	A0109-0013	Casing cover A
14	A0109-0020	Casing cover B
15	A0109-0005	Base plate
16	F0509-0002	VR (variable resistance) 50K - 110-120Vac
	F0509-0001	VR (variable resistance) 100K - 220-240Vac
17	C0109-0013	VR bracket
18	C0109-0018	Air intake
19	F0209-0012	Circuit Board Module 110-120Vac
	F0209-0013	Circuit Board Module 220-240Vac
20	D0101-0015	Security hex screw (2 reqd.)
21	-	Filter
22	C0309-0036	Filter holder
23	E0609-0005	Fuse assembly
24	C0101-0031	Security hex wrench
25	E0609-0001	Fuse 250V 6.3A (110-120Vac) not shown
	E0609-0004	Fuse 250V 3.15A (220-240Vac) not shown

