



**NEW LOOK
COMING SOON**

**10 SECOND
DRY TIME**

**95% COST
SAVINGS VS
PAPER TOWELS**

**ADA COMPLIANT
FAST RESULTS
WITH LESS NOISE***
***7% Quieter in 2019**



PRODUCT FEATURES

- Fast results with less noise, 10-15 second dry time
- 1-piece cover with double vandal-resistant screws and key wrench
- Power cuts off automatically after 60 seconds of irregular use
- 70% cost savings vs. conventional hand dryers
- 94% cost savings vs. paper towels
- Blue light allows use to maximize dryers efficiency
- Optional air filter available
- 5 Year Warranty

ULTRA SERIES Hand Dryers from Palmer Fixture

BLUSTORM HIGH SPEED HAND DRYER



GreenSpec
LISTED



TECHNICAL SPECIFICATIONS (Listed for HD0950 & HD0951)

MATERIAL Stainless Steel

MOTOR TYPE Adjustable brush type, dual ball bearings

THERMAL PROTECTION Motor: 120V @275F, 240V @221F
Heater turns unit off at 185F (85C)

AIR SPEED 32.4-58.9 CFM, Adjustable

AIR OUTPUT TEMP 131F (55C)
Ambient Temp: 77F (25C)

SOUND LEVEL 68.2dB

ISOLATION Class 1

DRIP PROOF IP31

WATTS Heater Element 450-700W, Adj.

RPM 12,000-18,000, Adjustable

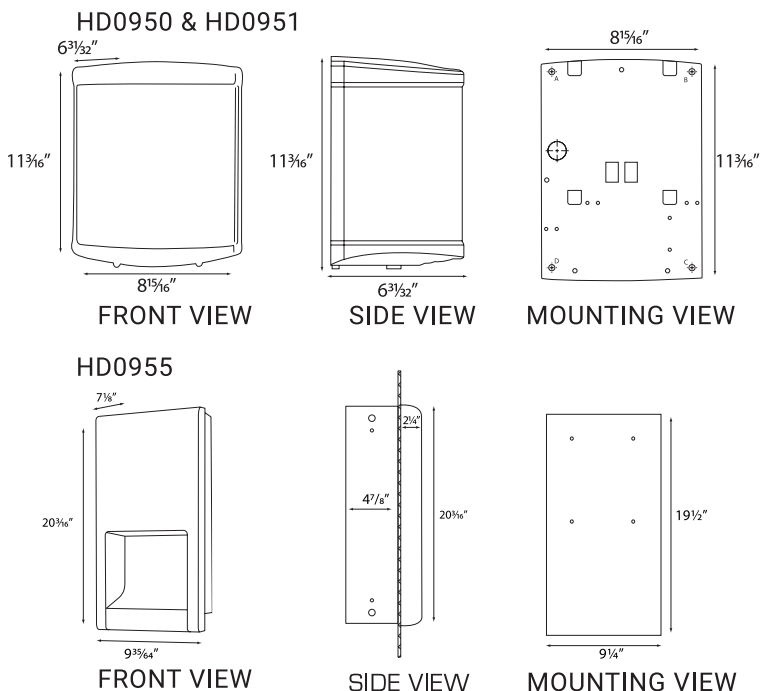
MOUNTING Surface or Recessed

WEIGHT 12.1 lbs / 20.7 lbs

MODEL #	VOLTAGE	AMPS
HD0950-09	110/120V	12.5-13.4
HD0951-09	220/240V	8-8.5
HD0955-09	110/120V	12.5-13.4

BluStorm EXTRAS

FILTER ASSEMBLY	SP095099-003
FILTER	SP095099-004
CUSTOM COVER	*CALL*



MOUNTING HEIGHTS from bottom of dryer to floor

MEN	50"
WOMEN	47"
CHILDREN (AGES 4-7)	35"
CHILDREN (AGES 8-10)	39"
CHILDREN (AGES 11-13)	43"
CHILDREN (AGES 14-16)	47"
DISABLED	40"

DIMENSIONS

8-15/16" W x 11-3/16" H x 6-31/32" D
9-35/64" W x 20-3/16" H x 7-1/8" D

WEIGHT

12.1 lbs
20.7 lbs -- RECESSED



Ph: 800.558.8678
Ph: 920.884.8698
Fax: 920.884.8699
info@palmerfixture.com



Palmer Fixture
P.O. Box 10887
Green Bay, WI 54307
www.stormdryers.com

www.palmerfixture.com