



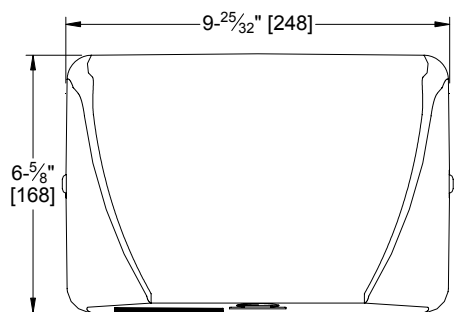
AMERICAN SPECIALTIES, INC.
 441 Saw Mill River Road, NY 10701
 (914) 476.9000 • (914) 476.0688
 www.americanspecialties.com

MODEL №: 0198

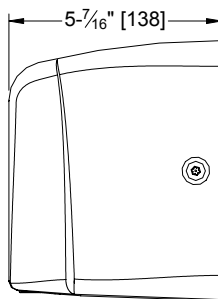
ISSUED: 08/10

REVISED:

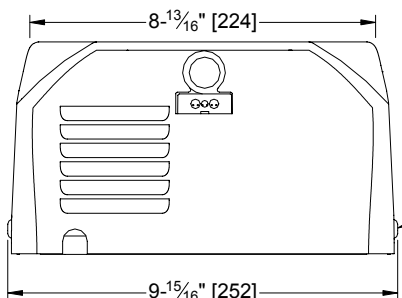
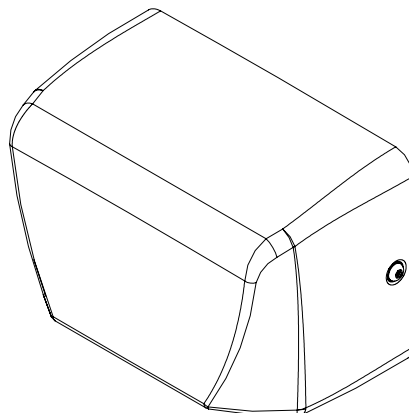
SURFACE MOUNTED HIGH-SPEED DRYER (1 of 2)



FRONT VIEW



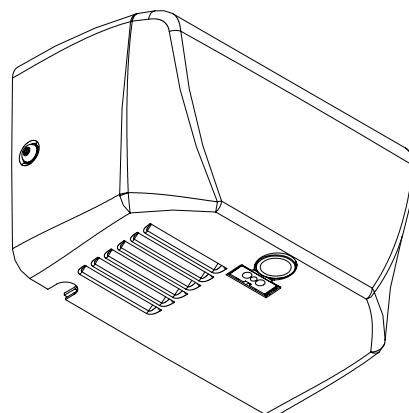
SIDE VIEW



BOTTOM VIEW

NOTE:
 ALL DIMS
 INCH [MM]

SECURITY
 COVER
 SCREWS



SPECIFICATION

Surface Mounted High-Speed Hand Dryer shall operate automatically from IR sensor activated by beam reflection from objects placed in sensing zone. Motor and heating element shall have internal resetting automatic thermal protection. Unit shall develop 60 CFM (102 m³/h) of heated air and shall provide drying time of less than 15 seconds. Cover shall be fabricated of heavy-duty, one piece formed stainless steel 3/64" (1.2) thick finished on all exposed surfaces as satin or bright polished (by option specified) or heavy-duty, one piece formed steel 3/64" (1.2) thick finished on all exposed surfaces with white porcelain enamel. Fixed directional air nozzle shall be heavy-duty, rust proof and highly tamper resistant. Air intake slots shall not allow access to internal parts. Circuitry shall have self-adjusting time-out and fail-safe off protection controlled by a microprocessor that shall detect and reject false signals and shall automatically self-calibrate to provide uniform sensitivity over its entire life span. Sensitivity shall be adjustable by owner to suit mounting conditions and intended usage population. Entire unit shall be internally electrically grounded. Dryer unit shall have C-UL-US® and CE approval and be listed under the re-examination services of Underwriters Laboratories, Inc. Unit shall be warranted against defects in materials or workmanship for five (5) years.

Surface Mounted High Speed Hand Dryer shall be Model № 0198-1 (or 0198-2) of American Specialties, Inc., 441 Saw Mill River Road, Yonkers, NY 10701-4913

INSTALLATION

Surface mount unit on wall with four (4) 1/4" washers and screws or bolts (supplied) through holes (provided) in a corrosion protected steel back plate into suitable prepared mountings (by others) or other suitable mounting hardware (by others) to suit wall conditions. Electrical service is supplied and connected (by others) prior to installing cover. Cover is secured to back plate with recessed, pin-hex socket head cap screws (supplied) opened with security wrench (supplied). For compliance with ICC/ANSI A-117.1-2003 and ADA Accessibility Guidelines for adults install unit with bottom of sensor lens 48" (1219) maximum above finished floor (MAX AFF) if unobstructed reach access is provided or 44" (1118) MAX AFF if forward reach over an obstruction (e.g. vanity or commode) with reach depth greater than 20" (508) and less than 25" (635) is only provided. For general utility install unit so that sensor lens is 44" to 54" (1118 to 1372) AFF. Mounting Template is supplied with unit.



AMERICAN SPECIALTIES, INC.
 441 Saw Mill River Road, NY 10701
 (914) 476.9000 • (914) 476.0688
 www.americanspecialties.com

MODEL No: 0198

ISSUED: 08/10

REVISED:

SURFACE MOUNTED HIGH-SPEED DRYER (2 of 2)

OPERATION

Activate dryer by placing hands under sensor. Dryer automatically shuts off after user removes hands from sensor zone. Complete Owner's Manual is supplied with unit.

COLOR OPTIONS*

Unit is supplied with white finish unless color option is specified. Specify optional covers Bright or Satin Stainless Steel by adding appropriate code number suffix to standard model number (e.g. 0198-1-92, 0198-1-93).

RATINGS

MODEL	TYPE	AIR Velocity	TIMING SAFETY	VOLTS AC FREQUENCY Hertz	AMPS	WATTS x1000	COLOR
0198-1	Hand	201 mph 90 m/s	Automatic 60 second Shut-Off	110 V-120 V 50/60 Hz	10.4 Max	0.84-1.0	White*
0198-2		201 mph 90 m/s		220 V-240 V 50/60 Hz	5.2 Max		

MOTOR	H/P	RPM x1000	FAN TYPE	HEATING ELEMENT	CFM m ³ /h	AIR OUTPUT TEMPERATURE
Brush Type Dual Ball Bearings	0.67	29	Multi-Inlet Centrifugal	500 Watt Nichrome wire with auto reset circuit breaker	60 102	131° F ± 5@ 77° F (55° C ± 2.4 @ 25° C) Ambient room temp

Net Wt	Ship Wt	DRYING TIME	SENSING RANGE	SAFETY	Water Protection
8.4 Lbs 3.8 kg	9.2 Lbs 4.2 kg	Less Than 15 seconds	5-1/8"-10" (130-254) ADJUSTABLE Standard = 7" ± 25/32" (178 ± 20)	C-UL-US®, CE	Drip Proof IP23

SENSOR TYPE	DRYING PERSISTENCE	MOTOR THERMAL PROTECTION	HEATER THERMAL PROTECTION	SOUND PRESSURE
IR 780 nm Self-adjusting	Automatic ≤ 2 second Hold-On Shut-Off delay	Shut off @ > 275 °F {> 135 °C} Reset on @ < 203 °F {< 95 °C}	Shut off @ > 185 °F {> 85 °C} Reset on @ < 167 °F {< 75 °C}	69.1 dB-A Maximum @ 2M

Accessory Specialties

AMERICAN DISPENSER

Desert Ray Products

WATROLS, INC.

THIS MANUFACTURER RESERVES THE RIGHT TO MAKE CHANGES IN DESIGN OR DIMENSIONS WITHOUT FORMAL NOTICE