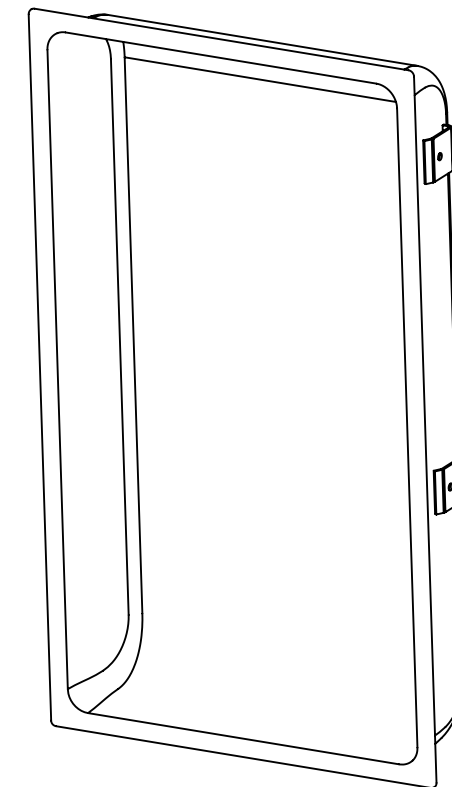


Airforce Recess Kit

(DOES NOT INCLUDE HAND DRYER)

 KJR-973K-1



Please read and save these instructions. Read carefully before attempting to assemble, install, operate or service the product described. Protect yourself and others by observing all safety information. Failure to comply with instructions could result in personal injury and/or property damage. Retain instructions for future reference.



World Dryer Corporation

5700 McDermott Drive
Berkeley, IL 60163 U.S.A.
800-323-0701
www.worlddryer.com

68-KJR-1 Rev01

Description

Stainless steel recessed wall box in brushed finish for installing Airforce warm air hand dryer – compliant with American with Disabilities Act (ADA).

General Specifications

Material: AISI 304 Stainless Steel

Finish: Brushed

Dimensions W x H x D: 14-1/8" x 25" x 4-3/16" (35.9cm x 63.5cm x 10.6cm)

Weight: 10.3 lbs (4.7 Kg)

Unpacking

1. Remove all packing material. Recycling is recommended.
2. Carefully remove the wall box from the shipping carton.
3. Inspect for any damage that may have occurred during transit. If the wall box is damaged, promptly inform the dealer where you purchased it.

Installation

A. Mounting the Wall Box

Refer to Fig. 1 "Parts List and Installation Diagram"

1. Place the steel wall box in the wall at the desired location, having the lower edge of the box at the following heights from the floor. (See Table 1). The rough opening for the **wall box is 13-7/16" x 24-1/16"**.
2. Allow opening in the wall to correspond with hole on the wall box in order to provide for easy access of conduit.
3. Mount wall box in the opening. Fasten wall box to stud with No. 10 wood screws. (Provided)
4. Run conduit from distribution panel to wall box. To limit voltage drop for efficient operation use AWG 12 wire or larger as required by local electrical code.

Mounting Dryer in Wall Box

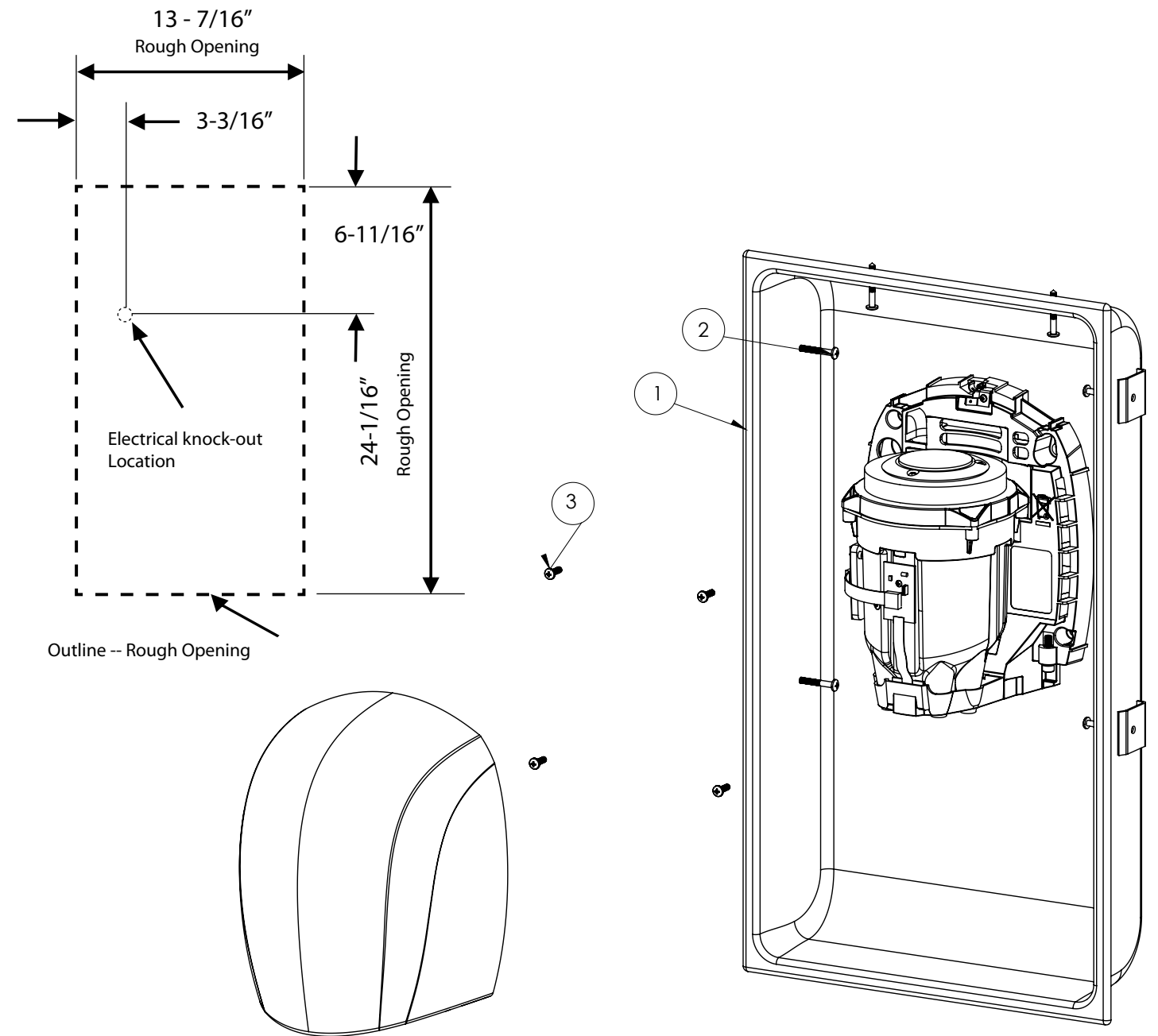
1. Disconnect the power source.
2. Use the security hex key supplied to turn the cover mounting screws **clockwise** to remove the cover from the dryer.
3. Place the hand dryer base on the wall box.
4. Fasten the base to the wall box, using provided #10-24 machine screws (4)
5. Connect the dryer to the power source.
6. Replace cover, turn screws **counter-clockwise** making certain not to over-tighten.

Table 1

Recommended Mounting Heights from Floor to Box Bottom Edge	in. (cm.)
Men's washrooms	37 (94)
Women's washrooms	35 (89)
Children's washrooms, ages 4-7	23.0 (58.5)
Children's washrooms, ages 7-10	27.0 (68.5)
Children's washrooms, ages 10-13	31.0 (78.5)
Children's washrooms, ages 13-17	35 (89)
Handicap Mounting Height	28 (71)

Parts List And Installation Diagram

Fig. 1



For Repair Parts, visit www.WorldDryer.com
Please provide following information:
- Model number
- Serial number
- Part description and number shown in parts list

#	Description	Part Number	Qty
1	Wall Box	17-10104	1
2	Wood Screw #10	46-93360	6
3	Machine Screw	46-90272	4