

ADVANTAGE™ Series Hand & Hair Dryer Owner's Manual

Instructions apply to the following models: AD90, AD90-M, AD90-BG, AD90-SS

Installation Instructions

WARNING: Do NOT modify the product in ANY way
Modifications including cutting holes may cause damage to the unit and will VOID the warranty

WARNING: Disconnect Power Before Servicing

WARNING: For Indoor Use Only.

WARNING: Installation Shall be Performed by a Qualified Licensed Electrician

- Remove cover by removing (2) tamper-proof screws using security wrench supplied. Pull cover directly toward you. **IMPORTANT: SAVE SECURITY WRENCH.**
- Dryers should be placed at least 2 feet (61cm) apart and at least 12" (30cm) from washbasin. Do not install dryer over washbasin. Dryers should be at least 18" (46cm) above any projection which may interfere with the operation of the automatic sensor.

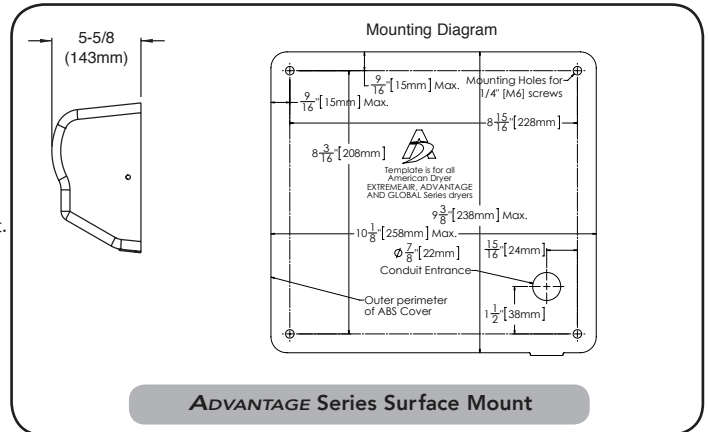
Hold the backplate to the wall at the suggested **MAXIMUM** mounting height. Measure from bottom edge of the **backplate** to the **floor**.

- Mark the locations of the four mounting holes and the conduit entrance location on the wall. (The conduit entrance is the proper hole diameter for 1/2 inch (13mm) conduit.)
- Fasten the backplate to the wall where previously marked.
RECOMMENDATION:
Wood wall – No. 14 (M6) wood screws, 2-3/4" (70mm) long
Cement or brick – 1/4" (M6) stud expansion bolts, 3" (76mm) long
Hollow wall – 1/4" (M6) toggle bolts, length depends on wall thickness
- Run a single phase 120V or 230V 50/60Hz electrical service wire to the dryer location using either the in-wall or bottom surface 1/2" conduit entrance and connect to the lead wires as shown on the dryer schematic. The ground wire must be connected to the dryer ground screw. **IMPORTANT:** All units must be supplied with 3 wire service. Use No. 12 or 14 wire as required by local electrical rules. Unit must be installed with separate disconnect means by a qualified licensed electrician.

CONNECT TO A DEDICATED CIRCUIT NOT TO EXCEED 20 AMPS

Dryers located in shower rooms or other wet locations should be equipped with ground fault interrupter(s).

- Carefully** replace the cover using (2) tamper-proof screws supplied. Apply a bead of caulk around edges of cover to wall.



RECOMMENDED MOUNTING HEIGHTS FROM BOTTOM OF DRYER TO FINISHED FLOOR (STANDARD)

	Men	Women	Children	Disabled
All Hand Dryers	44"	42"	32" - 42"	36"
Advantage Hair Dryer	74"	68"	48" - 68"	48"

RECOMMENDED MOUNTING HEIGHTS FROM BOTTOM OF DRYER TO FINISHED FLOOR (METRIC)

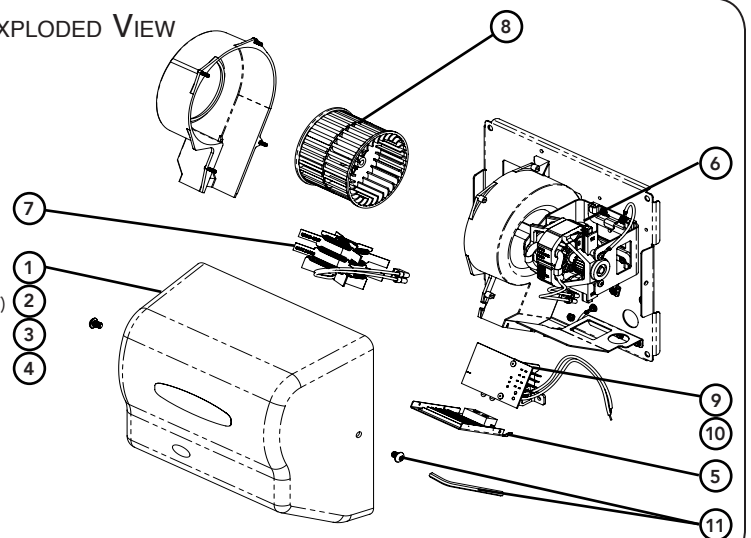
	Men	Women	Children	Disabled
All Hand Dryers	112cm	107cm	81-107cm	91cm
Advantage Hair Dryer	187cm	172cm	121-172cm	121cm

PARTS LIST

ITEM	PART NO.	DESCRIPTION
1	GX202	COVER, WHITE ABS*
2	GX202-M	COVER, WHITE STEEL*
3	GX202-BG	COVER, BLACK STEEL*
4	GX202-SS	COVER, STAINLESS STEEL*
5	GX212-A	VENT ASS'Y W/LENS AND FOAM GASKET
6	AD216	MOTOR, 110-120V
7	GX218-1	HEATING ELEMENT 110-120V (ADVANTAGE ONLY)
8	GX228	BLOWER WHEEL
9	SM239	SMART SENSOR COMPLETE 100-240 VOLT
10	SM239-HAIR	HAIR DRYER SMART SENSOR 100-240 VOLT
11	GB232	TAMPER-PROOF SCREWS & SECURITY WRENCH

* Must specify complete model number

EXPLODED VIEW



⚠ DANGER: Disconnect Power Before Servicing

Failure to disconnect the power source before installation or servicing can result in serious injury or death from electrical shock.

⚠ WARNING: Risk of fire, personal injury or property damage may result from improper installation or service.

⚠ WARNING: Cancer and reproductive harm – www.p65warnings.ca.gov

GENERAL OPERATION

This dryer is activated by an infrared sensor. The dryer operates as long as hands are below nozzle. There is a maximum 35-second running time with a safety override feature, if hands are not removed. Each component used in your dryer has been designed to provide years of trouble-free service. However, if trouble should develop, it can normally be located by visual examination. Removal or replacement of most parts is simple and can be done without special tools.

SERVICE AND MAINTENANCE OF YOUR DRYER

IF THE DRYER WON'T TURN ON:

Check electrical service, circuit breaker. Make sure proper voltage is being supplied to the dryer. Check for loose or disconnected terminal to sensor. **INCREASE** sensitivity (**Figure 1**) by using a flat-blade screwdriver and **CAREFULLY** turning the adjustment pot located on the sensor **CLOCKWISE 1/3 Turn MAX**. If necessary, replace sensor.

IF DRYER WILL NOT SHUT OFF:

Make certain black foam is attached to lens and lens is clean. If damaged, replace. **DECREASE** sensitivity (**Figure 1**) by using a small flat-blade screwdriver and **CAREFULLY** turning the adjustment pot **COUNTER-CLOCKWISE 1/3 Turn MAX**. If necessary, replace sensor.

IF COLD AIR IS COMING FROM THE NOZZLE:

Turn off breaker for 30 seconds to reset thermostat. If required, remove the cover and vent, check the heating element. If the element is broken or burned out, replace it.

IF NO AIR IS COMING FROM THE NOZZLE AND HEATING ELEMENT GLOWS:

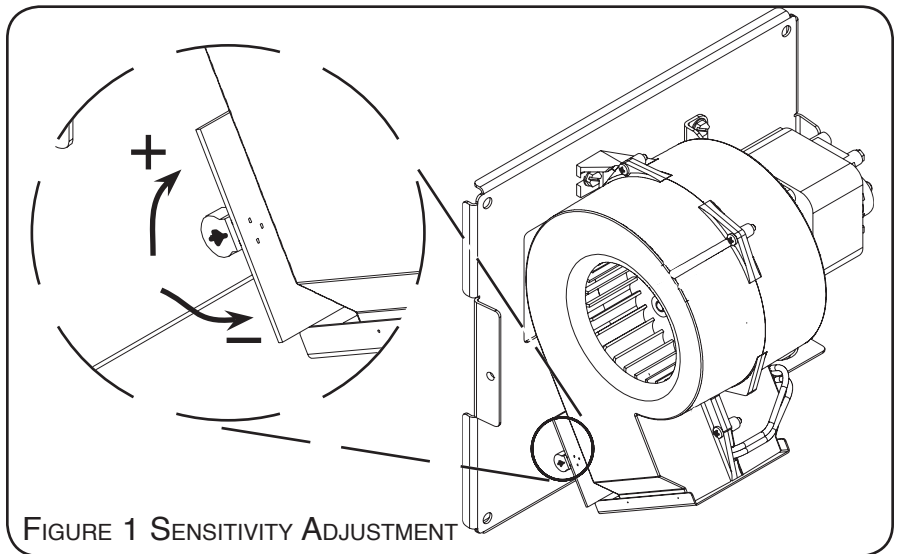


FIGURE 1 SENSITIVITY ADJUSTMENT

Remove the cover and check to see that the fan revolves freely. Check and replace motor, if required.

FOR ANY OTHER PROBLEM, CONTACT FACTORY FOR ASSISTANCE.

⚠ CLEANING - DO NOT spray cleaning solvents through dryer vents. **DO NOT** use abrasive, chlorinated, or highly alkaline cleaners. **DO NOT** use oil-based cleaners.

SEMI-ANNUALLY remove the cover and clean all lint and dust from the mechanism, inside of cover, and plastic window.

Clean cover with a mild soap or detergent and warm water, using a soft cloth or sponge.

For service assistance please call (800) 323-0701 or Email custservice@worlddryer.com

ADVANTAGE DRYER LIMITED WARRANTY

All parts are warranted to the original consumer purchaser to be free from defects in material and workmanship for a period of five (5) years from the date of purchase from manufacturer. All models outside of the U.S.A., one (1) year. We will replace **FREE OF CHARGE**, during the warranty period, any warranted part which proves defective in material and/or workmanship under normal installation, use, and service, excluding normal wear. Replacement parts can be obtained by returning the part, **TRANSPORTATION CHARGES PREPAID**. You must notify factory prior to returning part or dryer. Any damage to this dryer as a result of misuse, abuse, neglect, accident, improper installation, unauthorized repairs, or any other use violative of instructions furnished by us, **WILL VOID THIS WARRANTY**. **THIS LIMITED WARRANTY IS THE SOLE WARRANTY ON OUR PRODUCTS, AND WE DISCLAIM AND EXCLUDE ANY AND ALL OTHER WARRANTIES, EXPRESS OR IMPLIED, INCLUDING ANY IMPLIED WARRANTIES OF MERCHANTABILITY OR FITNESS FOR A PARTICULAR PURPOSE. OUR LIABILITY SHALL NOT EXCEED IN ANY EVENT THE REPLACEMENT OR SALE PRICE OF THE ALLEGEDLY NONCONFORMING PRODUCT AND SHALL EXCLUDE LABOR CHARGES. TO THE EXTENT PERMITTED BY LAW WE SHALL NOT BE LIABLE FOR ANY LOSS, COST, EXPENSE, OR INCIDENTAL OR CONSEQUENTIAL DAMAGES OF ANY KIND, WHETHER BASED UPON WARRANTY (EXPRESS OR IMPLIED), CONTRACT, NEGLIGENCE OR STRICT LIABILITY AND ARISING IN ANY WAY IN CONNECTION WITH THE DESIGN, MANUFACTURE, SALE, USE OR REPAIR OF THE PRODUCT.**

ADVANTAGE SERIES

World Dryer Corporation
340 County Line Road, Bensenville, IL 60106 U.S.A.
Telephone (800) 323-0701
www.worlddryer.com • Email: custservice@worlddryer.com
Revised April 2019