

## HANDS OFF® Series - Recessed - Hand Dryers



R76-IW



R76-IC

### Specifications

#### Construction

- A. **R76-IW & R76-IC Models:** shall be one piece, heavy-duty, rib-reinforced die-cast zinc alloy. It shall be light-weight, unbreakable, rustproof and all exposed surfaces shall be bright chrome plated or finished with chip-proof, electrostatically-applied epoxy, fitted with a fixed, die-cast, chrome plated, zinc alloy nozzle.
- B. The wall plates for recessed mounted models shall be equipped with (2) 7/8" (22 mm) diameter holes for ease of wiring. Recessed covers shall be fastened by four flat-head, recessed, tamper-proof bolts to wall box. Wall plate shall be fastened to the wall box by four concealed 1/4" (6mm) mounting bolts.
- C. **R76-IW & R76-IC Models:** shall be equipped with an air inlet opening on the bottom of the casting and covered with a vandal resistant metal protective grill to prevent the entry of foreign objects. A fixed chrome plated, die-cast zinc air outlet nozzle on the front of the cover shall permit a full flow of warm air when in operation, and shall be protected by a cast alloy grating fixed into the blower housing.
- D. All internal parts shall be coated according to Underwriters' Laboratories, Inc. requirements.
- E. Entire mechanism shall be internally grounded.

#### Mechanism

- F. Motor for **60 Hz units** shall be capacitor-initiated, brushless type (for longer life and quiet operation) 1/10 H.P. 3450 R.P.M. with self-lubricating bearings. It shall be insulated by a resilient mounting and shall be protected by a self-resetting thermal switch. Motor for **50 Hz units** shall be a universal 1/10 H.P. 4200 R.P.M. at rated load with sealed lubricated ball bearings. It shall be insulated by a resilient mounting. Motor is thermally protected.
- G. Fan shall be a large, single inlet centrifugal type for maximum capacity, and shall deliver 180 C.F.M. Fan shall be mounted directly on the motor shaft, and fan and motor unit shall be insulated from dryer with a resilient rubber mounting to obtain maximum dampening effect.
- H. The heating element is constructed of Nichrome wire and side mounted on the blower housing, thereby being vandal proof. It shall be protected by an automatic resetting thermostat, which shall open whenever air flow is cut off and shall close when flow of air is resumed. It shall produce an air temperature of 145°F/63°C at a 72°F/22°C ambient room temperature at the outlet.
- I. The control assembly is activated by an infrared optical sensor located next to the air outlet. The dryer shall operate as long as hands are moving under the air outlet. There is a 90 second lockout feature, if hands are not removed.

#### Underwriters' Laboratories, Inc. Listed

The entire dryer shall be listed under the re-examination service of Underwriters' Laboratories, Inc.

Dryers are available to meet requirements of:



#### Limited Warranty

The dryer shall be guaranteed to be free from defects for a period of ten years, except for three years on the control assembly and sensor. Warranty shall include factory performed labor as well as the repair or exchange of defective parts, at manufacturer's option.

## HANDS OFF® Series - R76-IC, R76-IW

| Model No. | Cover Finish | Mounting | Time Cycle | Dryer Type |
|-----------|--------------|----------|------------|------------|
| R76-IW    | White        | Recessed | Automatic  | Hand Dryer |
| R76-IC    | Chrome       | Recessed | Automatic  | Hand Dryer |

### Suggested Mounting Heights from Floor to Bottom of Dryer

| Men             | Women          | Teenagers      | Children      | Handicapped   |
|-----------------|----------------|----------------|---------------|---------------|
| 40" ( 102 cm. ) | 38" ( 97 cm. ) | 36" ( 91 cm. ) | 30 ( 76 cm. ) | 32" ( 81cm. ) |

### Units are Available as Specified In:

|          |               |                          |
|----------|---------------|--------------------------|
| 110/120V | 15 or 20 Amp. | 60 Hz                    |
| 208/230V | 10 Amp.       | 60 Hz                    |
| 277V     | 8 Amp.        | 60 Hz (up to 2400 Watts) |

50 Hz units are available for export

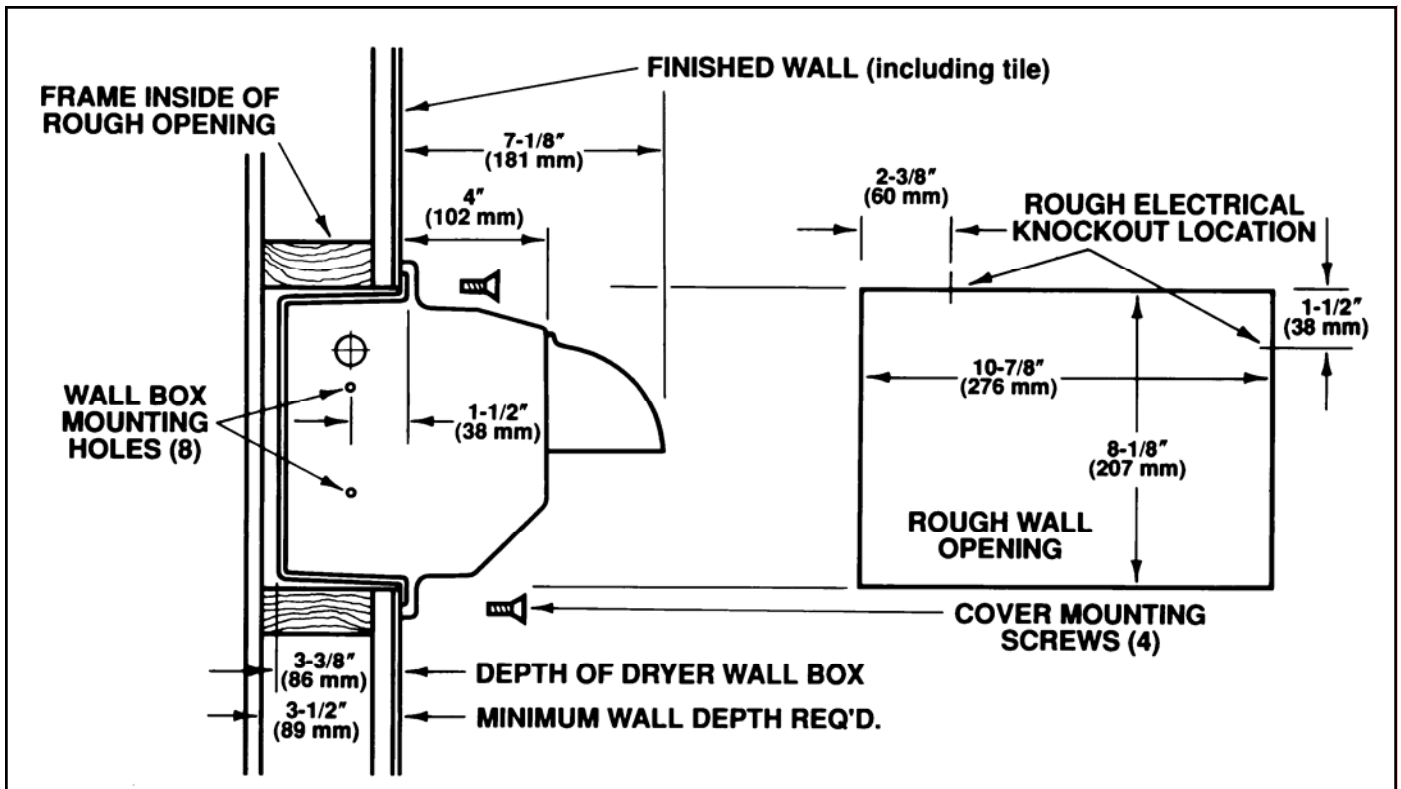
### Recessed Mounted

#### Dimensions:

12 1/2 lg. x 9 3/4" high x 4" deep  
(318 mm x 248 mm x 102 mm)

#### Weight:

20 lbs. (9.0 kg)



**Excel Dryer, Inc.**  
 357 Chestnut Street - P. O. Box 365  
 East Longmeadow, MA 01028 (USA)  
 Tel - 413.525.4531 Fax - 413.525.2853  
 Email: [admin@exceldryer.com](mailto:admin@exceldryer.com)  
 Web: [www.exceldryer.com](http://www.exceldryer.com)

HandsOffRecessedSpec - 10/4/2004